

**LOCINOX**

Let's make it better together

GATE CLOSERS  
& ACCESS  
CONTROL

Discover our innovative solutions



# HELLO!

Happy to know that you hold our new brochure in your hands. We are proud and excited at the same time to introduce you to our innovations.

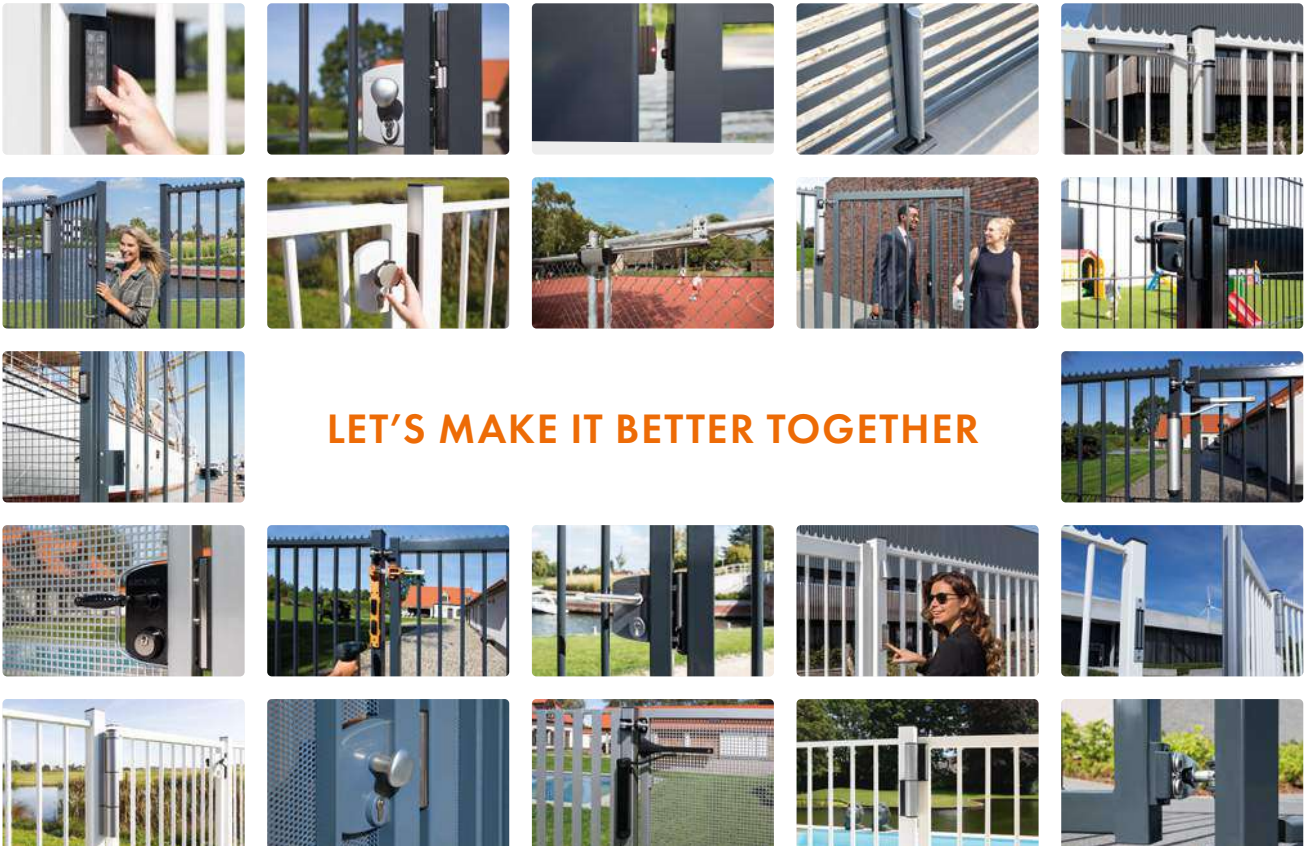
We are constantly strengthening our position as the top brand in the gate and fence hardware industry. As a true expert in the field, we only aim for the best. Not only with the infamous locks and keeps, but in the fast growing segment of Automation & Electronics as well.

Our R&D team, which is in continuous expansion, has once again developed highly disruptive products which will shake the market. Always with our strict requirements in mind: superb product quality, fast & easy installation, unprecedented reliability, beautiful aesthetics and with added value for you and your clients.

Customer service remains to reinforce our healthy partnership. Our 24h shipment, with a 98% delivery rate on time, is maybe one of the best examples.

Sit back, relax and get inspired.  
Happy exploring,

Mik Emmerechts  
CEO Locinox



**LET'S MAKE IT BETTER TOGETHER**

Gate closers	6
Access control	20
Magnetic locks	28
Accessories	41
Tooling	47

## A COUPLE OF TIPS!



Most Locinox products are fitted with the patented Quick-Fix. This highly innovative and extremely strong anchor bolt resists a pulling force of 1000 kg per Quick-Fix.



Choose between many colours, whichever matches your gate best.



Most of our products are developed for left and right hand gates.



Discover installation videos and quality tests on our website

**24h**  
**SHIPPING**

All products in this brochure are in stock and can be shipped within 24h.

**LOC E SHOP**  
order when it suits you

Order even more efficiently, faster and in all comfort, security and freedom. More details such as specs, pictures, drawings, videos and prices are available at [locinox.com](http://locinox.com)

# OUR PROMISES

## INNOVATION

A motivated team of engineers and prototypers work hard on a daily basis to further expand the Locinox range with new products.



You can find many, pioneering innovations in this catalogue.

## INDUSTRIAL QUALITY

Locinox products are of industrial quality. They are tested extensively by our Quality department in the most extreme circumstances.



We test every product a minimum of 500,000 movements before bringing it to the market. Locinox products extend the life of your gates and fences!



## WEATHERPROOF

High quality materials and surface treatments ready for years of outdoor use are a basic requirement. This is why Locinox only uses stainless steel and non-ferro metals as raw materials for its products.



We choose chrome plating and, whenever possible, hot-dip galvanisation as surface treatment to maintain high standards. This way, our products have a longer life cycle than cheaper alternatives.

## EASE OF INSTALLATION

"Time is money", you will most probably agree. This is why our products are designed as such that installation happens very quickly and easy.



Thanks to the special tools, the patented Quick-Fix and the Plug & Play design - installation happens in a blink of an eye.

The pre-fitted Quick-Fix solution guarantees a lightning fast installation. This way, the products are mounted very firmly.



### **MODULARITY**

The products in our range are designed for maximum interchangeability. A multitude of combinations is possible to assure maximum flexibility according to your clients' needs.

Even after installation, our products can be easily adjusted and/or replaced.

### **CUSTOM ASSEMBLY**

The modularity of our products allows you to choose from many different configurations. Locinox will assemble every possible configuration upon request.



Moreover, our well-organised logistics guarantee a shipment of our catalogue products within 24h after your order. This will allow you to react quickly to your clients' needs!



### **AT YOUR SERVICE!**

Our sales team is easy to reach and will give you a prompt reply by phone or e-mail in no less than 7 supported languages.

They will supply you the correct product information and are happy to help you in choosing the right solution for the given situation.

Your orders are confirmed on the same day!

# OUR CONCEPTS



## AUTOMATED SWING GATE

**SLIMSTONE** Sturdy, weather resistant keypad (IP68) | **ELECTRADROP** Motorised electrical dropbolt  
**OGS** Off-centered ground stop and catch | **1DBH-** 90° 2-way adjustable bearing hinge  
**TRICONE** Design led lighting for gates (IP54)



## SELF-CLOSING PEDESTRIAN GATE WITH ELECTRIC LOCK

**SAMSON-2**  
 Versatile hydraulic gate closer  
**GBMU4D**  
 4-way adjustable, 180° hinge  
**SLIMSTONE**  
 Sturdy, weather resistant keypad (IP68)  
**LIKQ U2**  
 Electric lock - Fail Close  
**SHKL QF**  
 Security keep and gate stop  
**DVK**  
 Guiding cable  
**PB-1 + DC-POWER-12V-20W**  
 Powerbox - Transformer housing (IP66)  
 + Safety power supply 12 V and 13 V DC  
**TRICONE**  
 Design led lighting for gates (IP54)



## SELF-CLOSING PEDESTRIAN GATE WITH MAGNETIC LOCK

### MAMMOTH-180

Hydraulic 180° gate closer and hinge in one

### SLIMSTONE

Sturdy, weather resistant keypad (IP68)

### MAG

Magnetic lock with integrated handles

### DINO

180° double bearing hinge with 2 x 20 mm adjustability

### PB-1 + DC-POWER-12V-20W

Powerbox - Transformer housing (IP66) + Safety power supply 12 V and 13 V DC

### TRICONE

Design led lighting for gates (IP54)



## SELF-CLOSING RESIDENTIAL GATE WITH ELECTRIC KEEP

### LION

Compact and polyvalent gate closer, fits every gate situation

### SLIMSTONE-2

Sturdy, weather resistant keypad (IP68)

### LAKQ U2

Industrial gate lock

### MODULEC-SA

Surface mounted electric strike (Fail Close)

### G90Z

90° adjustable hinge

### TRICONE

Design led lighting for gates (IP54)

### PB-1 + DC-POWER-12V-20W

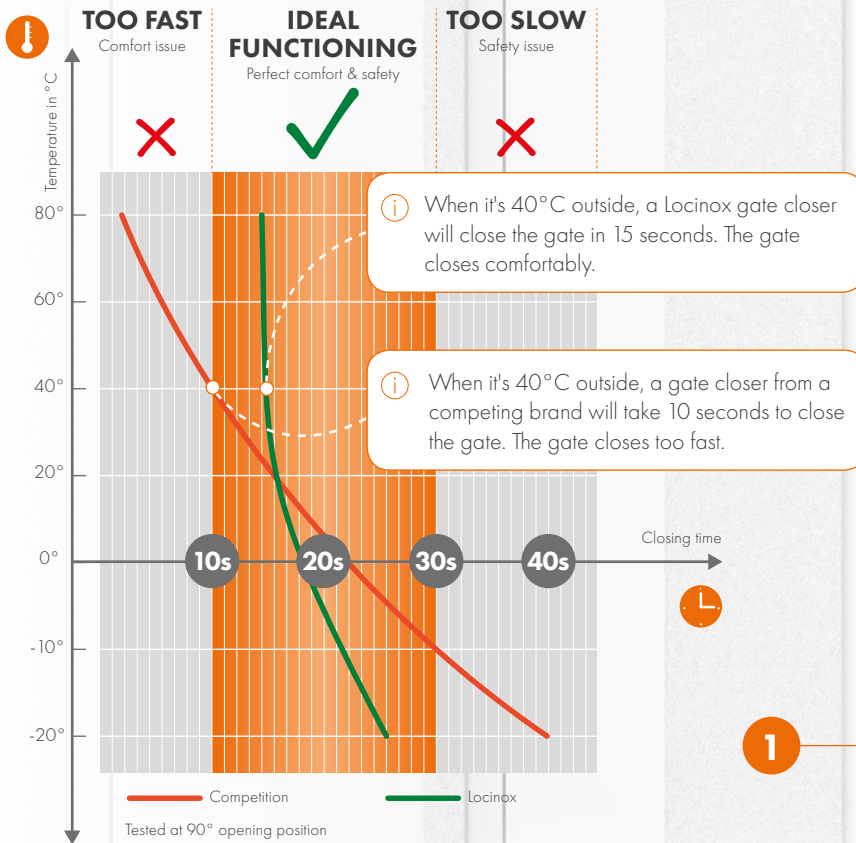
Powerbox - Transformer housing (IP66) + Safety power supply 12V and 13V DC

# SELF-CLOSING HYDRAULIC GATE CLOSERS

## 1 ALWAYS A CONSTANT CLOSING SPEED FROM FREEZING WINTER TO SIZZLING SUMMER

If your gate closes too slow, children or pets could sneak through. If your gate closes too fast, it might become a problem for wheelchair users. A loud slamming gate is not only annoying for you or your neighbours, it's also harmful for your gates.

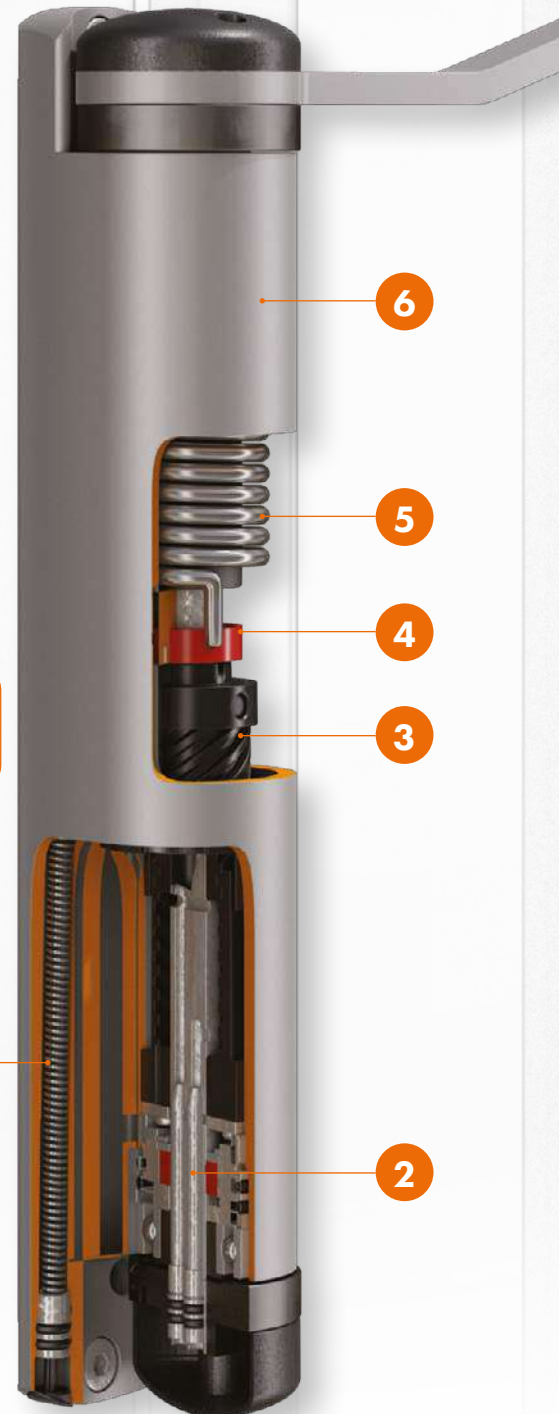
The Active Thermal System, our own cutting-edge development, guarantees a constant closing speed, regardless of the outside temperature.



## 2 ADJUST SPEED AND FINAL SNAP PRECISELY

Some customers prefer their gate to close slowly, while others want it to go a little faster. No problem! All of our hydraulic gate closers can easily be adjusted in a matter of seconds to the wishes of your customers.

The final snap allows the gate to speed up a little at the end: this way, you are reassured the gate is properly closed. The final snap can easily be adjusted to any need.







### 3 FUNCTIONS COMFORTABLY

The in-house developed High-Helix screws guarantee a consistent functionality and ensure a comfortable opening speed for the elderly or disabled.

### 4 DUST- & WATERPROOF

Our gate closers are equipped with rotary seals. These seals protect the gate closers from dirt and dust particles intruding the mechanism, assuring your customers of worry-free functioning for many years to come.

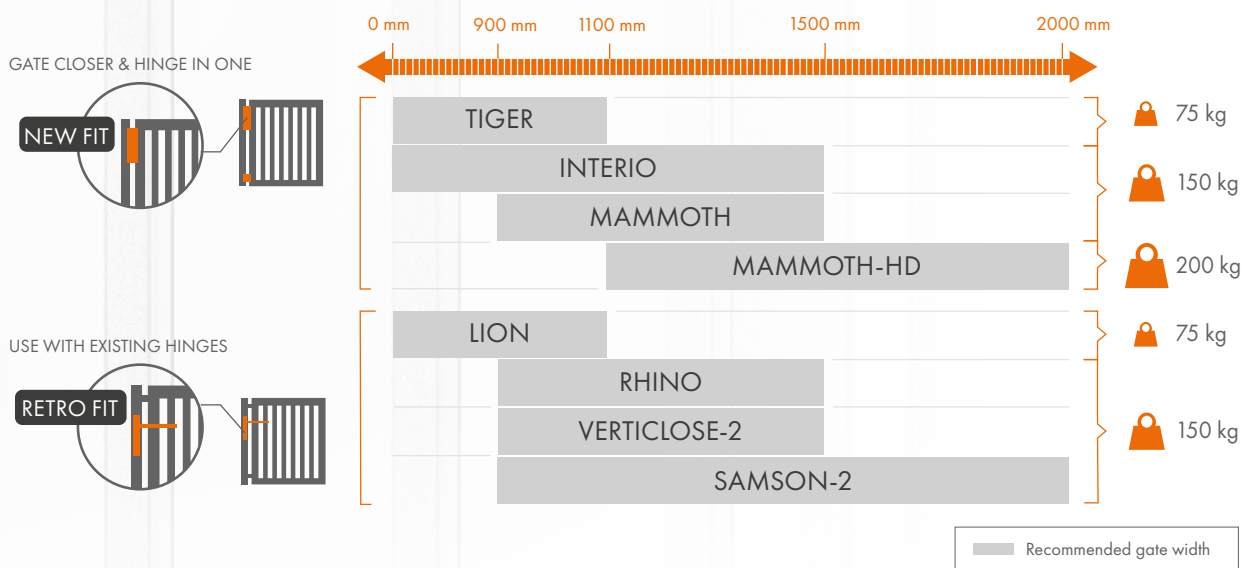
### 5 CLOSES EVERY TIME

The powerful torsion spring guarantees the necessary closing force. Therefore, your gate will always close: unaffected by strong winds, the width of your gate wing or the outside temperature. You can rest assured.

### 6 100% PROTECTED

The aluminium anodized housing guarantees full protection against any weather conditions. The housing is windproof, frost-free and dust- & waterproof, allowing your gate closer to function perfectly.

## A GATE CLOSER FOR EVERY GATE



GATE CLOSER & HINGE IN ONE

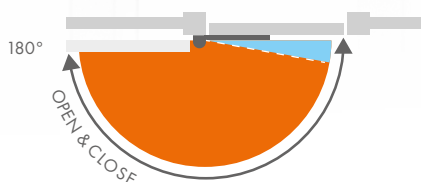
NEW FIT

USE WITH EXISTING HINGES

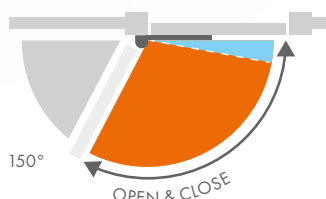
RETRO FIT

### OPENING ANGLE

ALL LOCINOX GATE CLOSERS



SAMSON GATE CLOSER



Max 150° depending on position of hinge and gate closer

Find your gate closer thanks to our [handy gate closer configurator](http://www.locinox.com) on [www.locinox.com](http://www.locinox.com)

## Ground fixation set for Interio gate closer

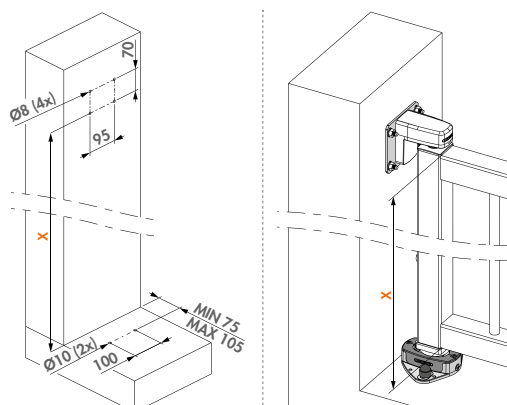
INTERIO-GROUND-9005



Optional set to fix the Interio gate closer directly on the ground. This set consists of a ground hinge and a wall panel. Including all fixations.

### Specifications

- ✔ Wall plate made of hot-dip galvanized metal with RAL9005 powder coating
- ✔ Bottom hinge fixation block made of aluminium
- ✔ Anchor bolts included
- ✔ Distance between gate and wall: min. 29 mm - max. 54 mm
- ✔ Depth adjustment: 15 mm
- ✔ Height adjustment: 10 mm
- ✔ Minimal opening under the gate: 55 mm
- ✔ Only compatible with Interio gate closer



Compatible gate closer



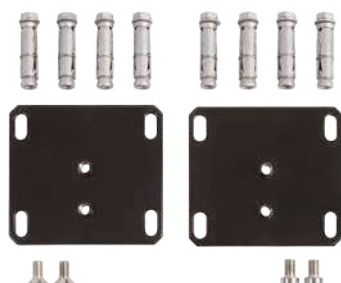
### Order code

**INTERIO-GROUND-9005** Optional ground fixation set, only compatible with Interio gate closer

INTERIO

## Wall fixation set for Interio gate closer

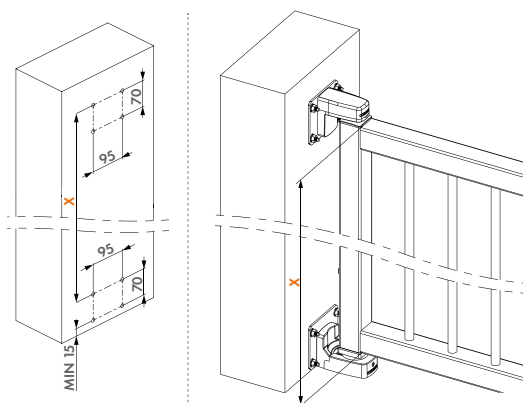
INTERIO-WALL-9005



Optional set to fix the Interio gate closer directly on the wall. This set consists of two wall plates made of hot-dip galvanized steel. All fixations are included.

### Specifications

- ✔ Wall plate made of hot-dip galvanized metal with RAL9005 powder coating
- ✔ Distance between gate and wall: min. 29 mm
- ✔ Depth adjustment: 15 mm
- ✔ Height adjustment: 10 mm
- ✔ Minimal opening under the gate: 55 mm
- ✔ Only compatible with Interio gate closer



Compatible gate closer



### Order code

**INTERIO-WALL-9005** Optional wall fixation set, only compatible with Interio gate closer

INTERIO

## NEW Invisible, built-in hydraulic gate closer

INTERIO (Patented)

The invisible Interio gate closer, with matching hinge set, is completely built into the gate frame. This highly aesthetic solution opens and closes the gate comfortably. The integrated pretension ensures an efficient and flawless installation where speed and final snap can be adjusted accurately to fit any need.

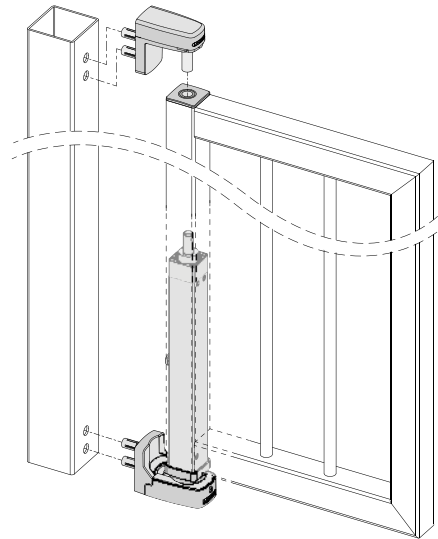


### Color options

9005

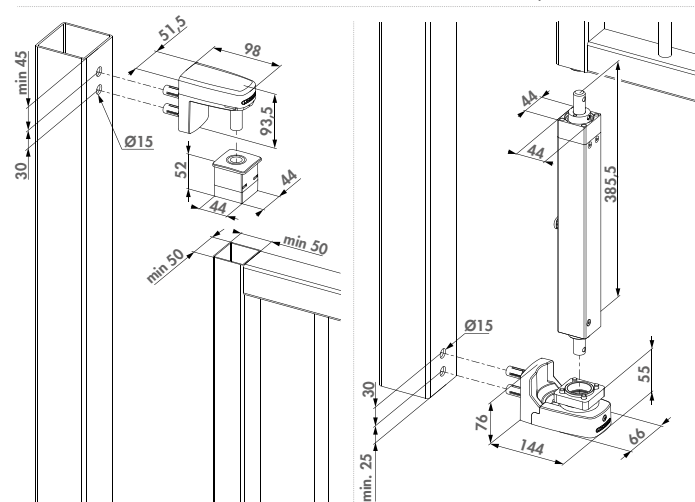
### Specifications

- ✔ Self-closing up to 125° (depending on the situation) with adjustable closing speed and final snap
- ✔ Powder coated aluminium housing
- ✔ Constant closing speed in hot or cold weather
- ✔ Vandal-proof
- ✔ For left & right turning gates
- ✔ Secure, fast and easy attachment thanks to Quick-Fix mounting bolts
- ✔ Optional sets available for ground and wall installation
- ✔ Recommended with Gatestop



### Order code

INTERIO Hydraulic built-in gate closer for gates up to 150 kg



### Compatible products



INTERIO-  
GROUND-9005

INTERIO-  
WALL-9005



**A SILENT  
OPENING &  
CLOSING**



**SAFE  
FOR  
WHEELCHAIR  
USERS**

EXCEPTIONAL  
PRECISE ADJUSTMENT OF  
SPEED & FINAL SNAP  
FOR YOUR  
**COMFORT**



**VANDAL  
PROOF**

# 10

## FEATURES SETTING LOCINOX GATE CLOSERS APART!



**CHILD  
& PET  
FRIENDLY**

**EFFICIENT  
INSTALLATION  
FAST & EASY**



**DURABLE**  
TESTED FOR  
**500 000**  
MOVEMENTS



**100%  
HYDRAULIC  
GREEN &  
MAINTENANCE  
FREE**



**3 YEAR  
WARRANTY**

EXTREME  
**WEATHERPROOF**

CONSTANT CLOSING SPEED

**-30° ▶ +70°C**



## Compact hinge and gate closer in one

TIGER (Patented)

180° self-closing hydraulic hinge with precise adjustments on speed and final snap. The aluminium powder coated housing and unique high-tech components allow the Tiger to function perfectly in any weather situation. We highly recommend the Tigerdrill for an even more efficient installation. The Puma hinge is included.



### Color options

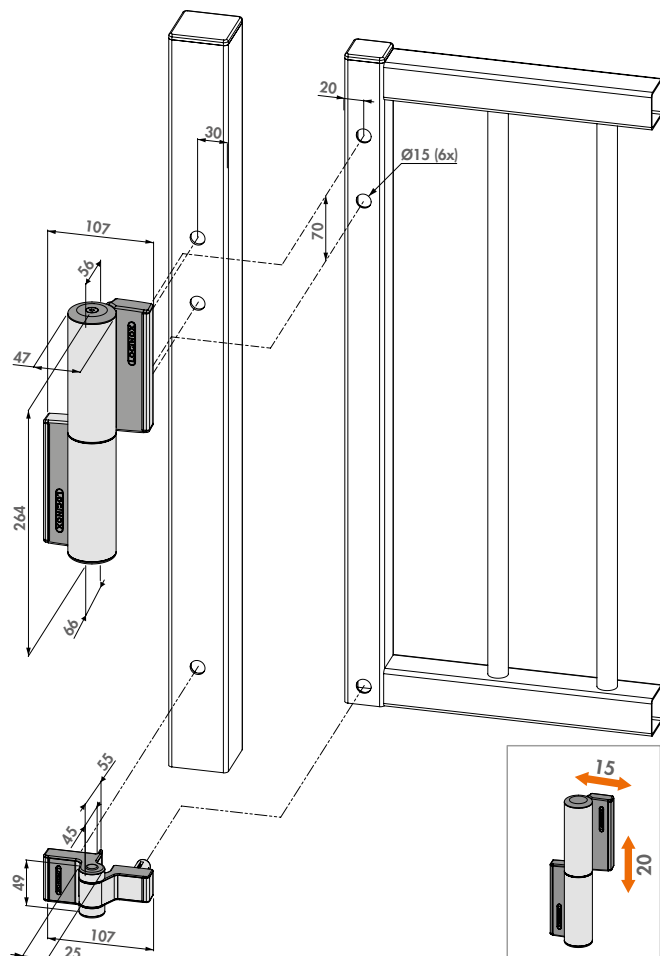
ZILV 9005

### Specifications

- ✔ Automatic 180° closure with adjustable closing speed and final snap
- ✔ Aesthetic design
- ✔ Powder coated aluminium housing
- ✔ Closing speed unaffected by humidity and temperature changes
- ✔ Vandal-proof
- ✔ For left and right turning gates
- ✔ Fast and easy fixing with Quick-Fix
- ✔ 15 mm horizontal adjustability
- ✔ 20 mm vertical adjustability
- ✔ Easy to open: Max. 14 Nm

### Order code

**TIGER** Hydraulic gate closer and Puma 180° hinge for gates up to 75 kg



### Recommended installation tools



TIGERDRILL

DRILLVISE-II

DRILLVISE-IV

CLB-TIGER

## Hydraulic 180° gate closer and hinge in one

MAMMOTH-180 (Patented)

Elegant and powerful self-closing hinge for 180° gate situations. Mammoth is perfectly fit for gates up to 150 kg and 1500 mm wide. It is equipped with a double bearing for exceptional functionality. The Active Thermal System guarantees a constant closing speed, unaffected by weather conditions. The Dino hinge is included.



### Color options

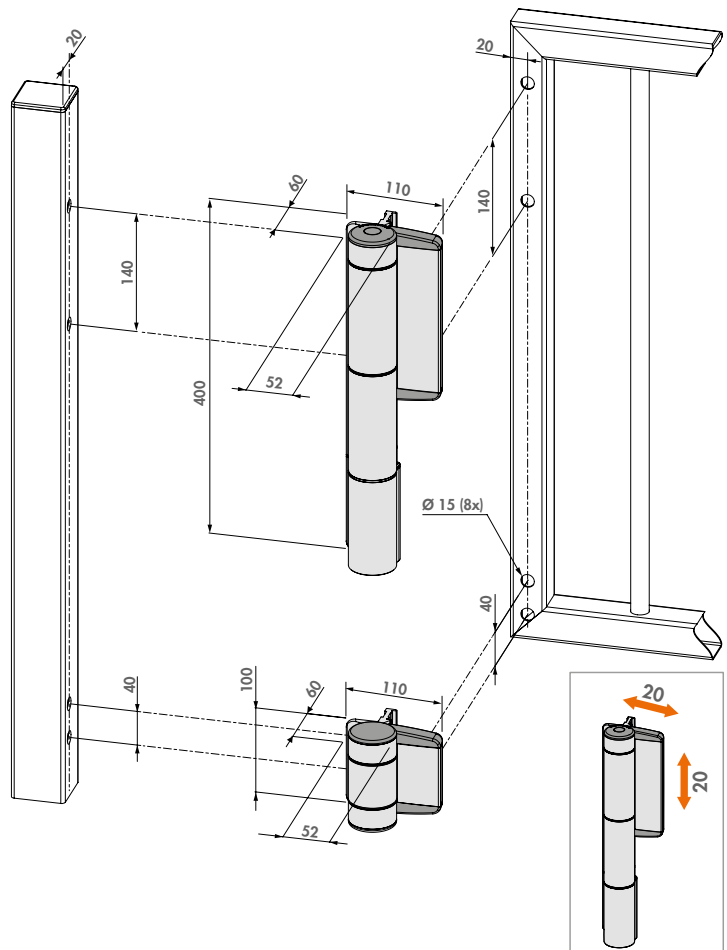
ZILV 9005

### Specifications

- ✓ Self-closing hinge with patented hydraulic damping
- ✓ Aesthetic design
- ✓ Powder coated aluminium housing
- ✓ Closing speed unaffected by temperature changes
- ✓ Easy to open: Max. 16 Nm
- ✓ Vandal-proof
- ✓ For left and right opening gates
- ✓ Easy mounting with Quick-Fix
- ✓ 2-dimensionally adjustable (2 x 20 mm)

### Order code

**MAMMOTH-180** Stylish hydraulic gate closer for heavy gates



### Recommended installation tools



DRILLVISE-II



DRILLVISE-IV



CLB-MAMMOTH

**NEW** Highly powerful hydraulic 180° gate closer and hinge-in-one  
MAMMOTH-HD- (Patented)



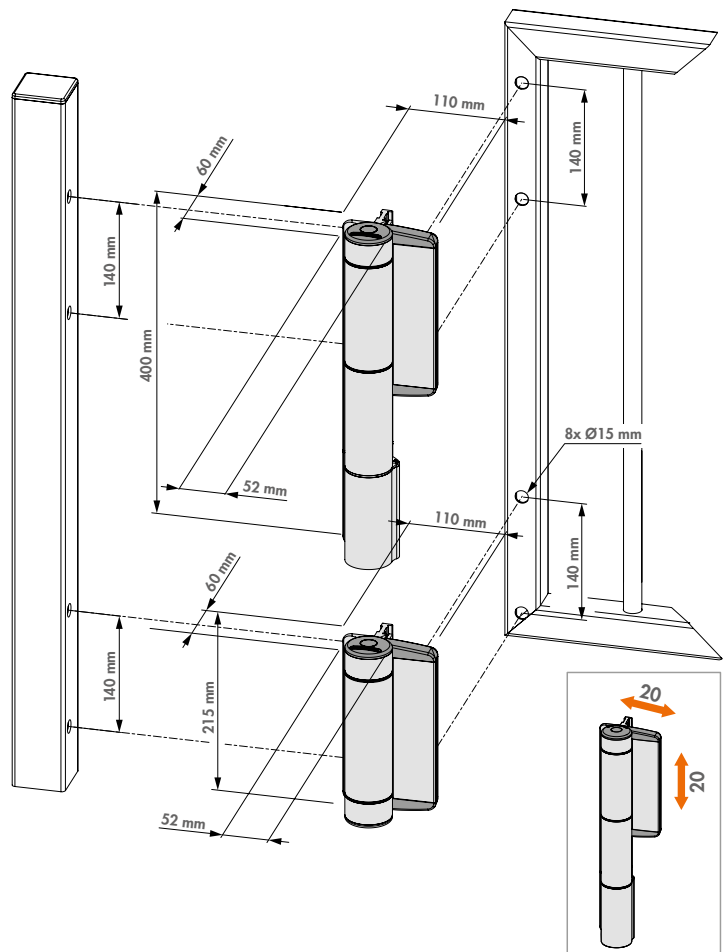
**Color options**

**9005** ZILV

- ✔ 180° hydraulic gate closer with adjustable speed and final snap
- ✔ Aesthetic design
- ✔ Powder coated aluminium housing
- ✔ Closing speed unaffected by temperature changes
- ✔ Easy to open: Max. 30 Nm
- ✔ Vandal-proof
- ✔ For left & right turning gates
- ✔ Easy mounting with Quick-Fix

**Order code**

**MAMMOTH-HD-** Highly powerful hydraulic 180° gate closer and hinge-in-one, for gates up to 200 kg



**Recommended installation tools**



DRILLWISE-II

DRILLWISE-IV

## Hydraulic gate closer for large gates

SAMSON-2 (Patented)



Simple installation and flexible functionality make it the perfect fit for larger gates. Samson-2 is a polyvalent hydraulic gate closer developed with high quality components for an exceptional long life span. Temperature changes do not affect the smooth and constant functionality. The set of mounting brackets that are delivered with the closer make Samson-2 fit for any gate.



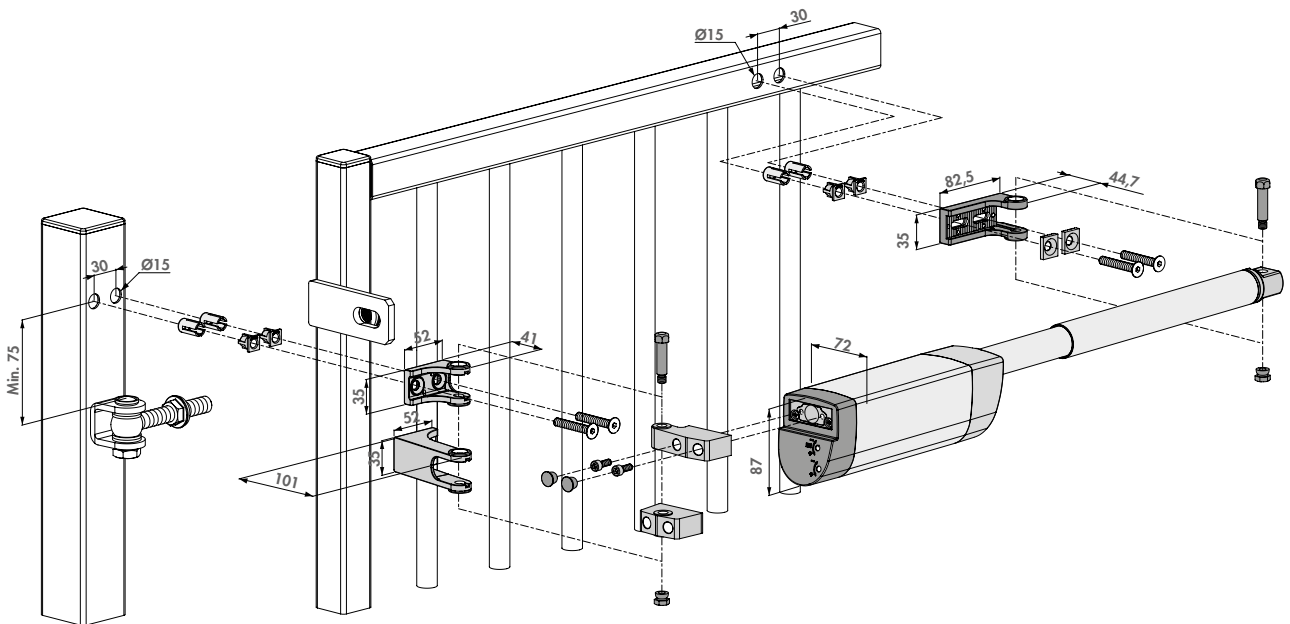
### Color options

ZILV



### Specifications

- ✓ Opening angle up to 150° depending on the situation
- ✓ Specially developed for outdoor use: industrial quality
- ✓ Scratch resistant and corrosion free anodised aluminium housing
- ✓ Closing speed unaffected by temperature changes
- ✓ Fast and easy fixing with Quick-Fix
- ✓ For left and right turning gates



### Recommended installation tools



### Order code

SAMSON-2 Hydraulic gate closer for gates up to 150 kg

DRILLWISE-II

DRILLWISE-IV

SB-



## Compact and polyvalent gate closer, fits every gate situation

LION (Patented)

The attractive and compact Lion gate closer is unique in its kind. This hydraulic all-rounder is fit for every possible gate situation. Moreover, both 90° and 180° railsets are included in the package, allowing for more flexibility on site. The anodised aluminium housing combines a handsome look with a durable and spotless functioning for many years. Choose the Lion-VTC Drill for an even faster installation.

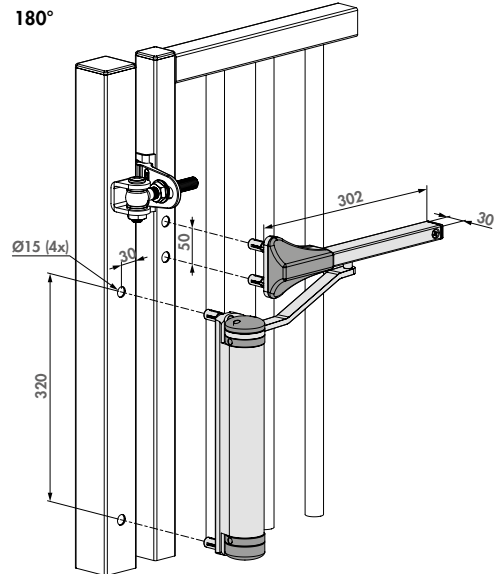
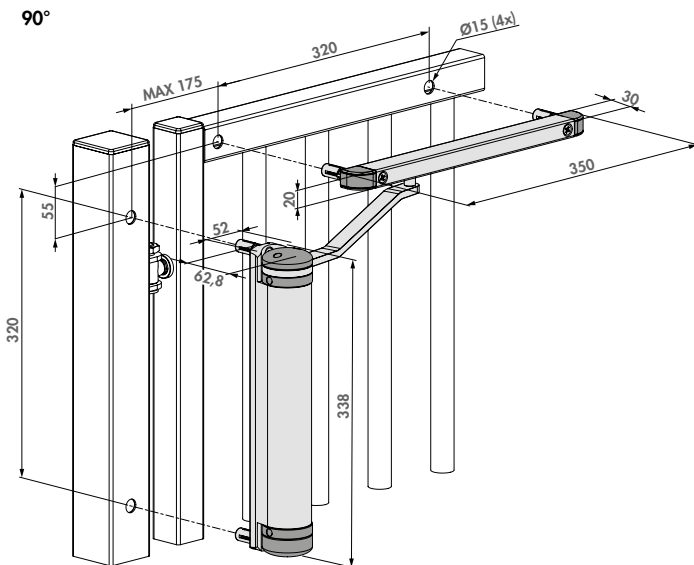


### Color options

ZILV 9005

### Specifications

- ✓ Automatic 180° - closing with adjustable closing speed and final snap
- ✓ Railset included for 90° and 180° situations
- ✓ Scratch resistant and corrosion free anodised aluminium housing
- ✓ Compact & aesthetic design
- ✓ Closing speed unaffected by temperature changes
- ✓ For left & right turning gates
- ✓ Integrated pre-tension for extremely smooth installation
- ✓ Easy & fast mounting: Quick-Fix



### Recommended installation tools



LION-VTC-DRILL

DRILLVISE-II

DRILLVISE-IV

### Order code

LION Compact hydraulic gate closer for any situation





## Aesthetical 180° gate closer with direct connection to the hinge RHINO (Patented)

Transform your 180° hinge into a self-closing solution thanks to our Rhino hydraulic gate closer. The direct connection to the Locinox hinge guarantees the discreet look and efficient transmission of the energy required to close the gate perfectly. The anodised aluminium housing ensures a durable and smooth operation in any weather. The Rhinodrill jig guarantees an extremely efficient installation.



### Color options

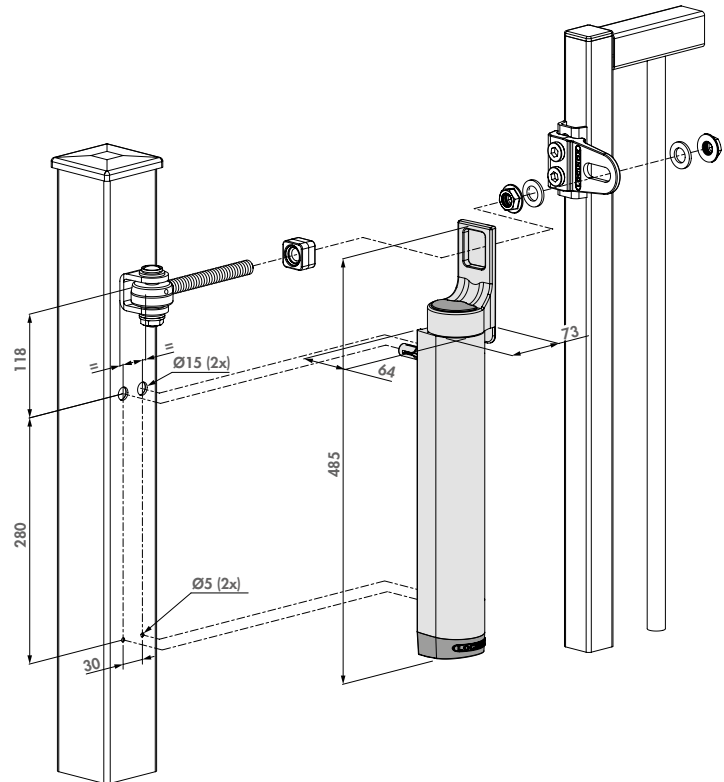
ZILV 9005

### Specifications

- ✔ 180° hydraulic gate closer with adjustable speed and final snap
- ✔ Closing speed unaffected by temperature changes
- ✔ Compact & aesthetic design
- ✔ Scratch resistant and corrosion free anodised aluminium housing
- ✔ Direct assembly on 180° hinges M16 & M20 (GBMU, GBMU4D & BOLTON4D)
- ✔ Moveable eyebolt is recommended (1034-ROLL-M16)
- ✔ Integrated pre-tension for extremely smooth installation

### Order code

**RHINO** Hydraulic gate closer for gates up to 150 kg



### Recommended installation tools



RHINODRILL

DRILLVISE-II

DRILLVISE-IV

## Powerful and all-round hydraulic gate closer for wall mounting

VERTICLOSE-2-WALL- (Patented)



The Verticlose-2 Wall gate closer has been specifically designed for wall mounting where the gate closer itself is positioned 90° in relation to the gate. The specially designed arm turns around the wall or post, ensuring a large opening angle. The aesthetic anodised aluminium gate closer with high-tech internal components ensures an exceptionally long life span.



### Color options

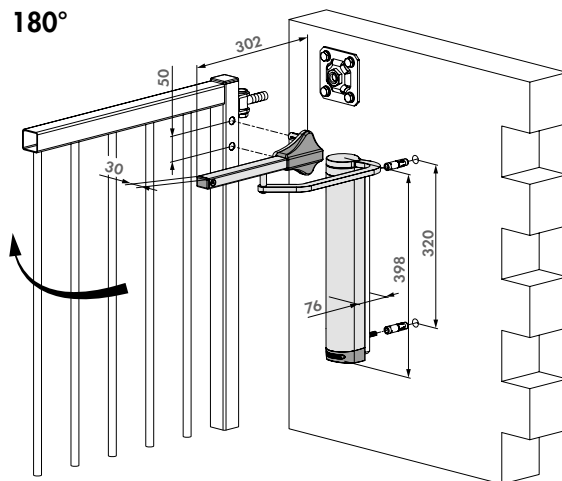
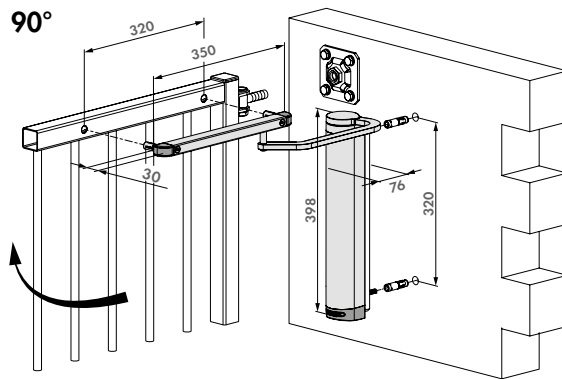
ZILV

### Specifications

- ✔ Self-closing gate closer with adjustable speed and final snap
- ✔ Specially designed arm for wall mounting while guaranteeing a big opening angle
- ✔ Scratch resistant and corrosion free anodised aluminium housing
- ✔ Aesthetic & compact design
- ✔ Integrated pretension for extra smooth installation
- ✔ Closing force over the full 180° opening angle
- ✔ Firmly fixed thanks to patented Quick-Fix system

### Order code

**VERTICLOSE-2-WALL-** Powerful and all-round hydraulic gate closer for wall mounting



### Recommended installation tools



LION-VTC-DRILL

DRILLWISE-II

DRILLWISE-IV

## Powerful all-round hydraulic gate closer for 90° and 180° hinges

VERTICLOSE-2- (Patented)



The Verticlose-2 gate closer is top-of-the-range within the Verticlose product series. It is extremely multifunctional and possesses excellent features, which makes Verticlose-2 a perfect fit for both 90° and 180° hinge situations. The integrated pre-tension and continuous adjustability of speed and final snap, combined with our Quick-fix mounting system, guarantee a quick and efficient installation. The aesthetic anodised aluminium gate closer with high-tech internal components ensures an exceptionally long life span. We highly recommend the Lion-VTC Drill for an even more efficient installation.



### Color options

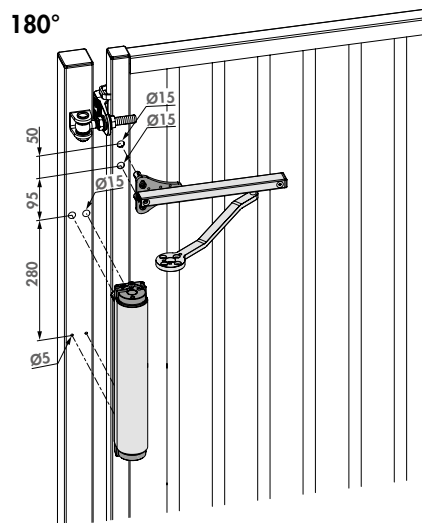
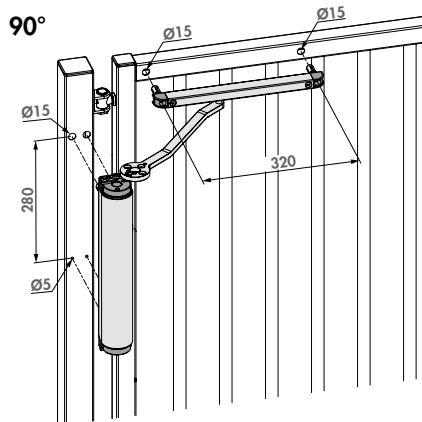
ZILV 9005

### Specifications

- ✔ Micro adjustment of speed and final snap
- ✔ Railset included for 90° and 180° situations
- ✔ Scratch resistant and corrosion free anodised aluminium housing
- ✔ Aesthetic & compact design
- ✔ Integrated pretension for extra smooth installation
- ✔ Closing force over the full 180° opening angle
- ✔ Firmly fixed thanks to patented Quick-Fix system

### Order code

**VERTICLOSE-2-** Powerful and all-round hydraulic gate closer for 90° and 180° hinges



### Recommended installation tools



LION-VTC-DRILL

DRILLVISE-II

DRILLVISE-IV

# ACCESS CONTROL

The SlimStone-2 keypad with two integrated relays sets the new standard! With an IP 68 value SlimStone is designed to smoothly endure the most extreme weather conditions. Moreover, the Smart Heating System guarantees a frost-free and perfectly working keypad during winter time.

SlimStone-2 can monitor all Locinox access control products, as for example the surface mounted Modulec electric strike or our range of magnetic locks. Locinox automation products also fit this range. A quick and efficient installation ensures comfort and peace of mind.



Timesaving



Weatherproof



Quick-Fix fixation



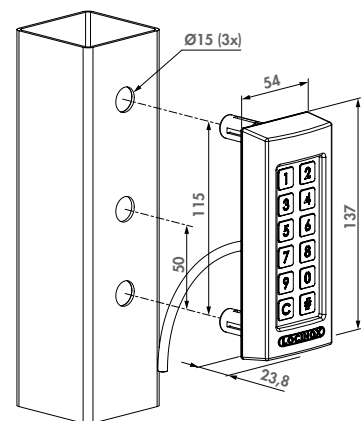
IP68



## Strong, frost-free and watertight keypad with integrated relay

SLIMSTONE-

The SlimStone keypad with integrated led lighting is unique in its kind thanks to its strength. The keypad was developed and tested for use in the most extreme weather conditions. Assembly and mounting are very easy. Thanks to the integrated relay, with a common open and closed contact, both the coupling to Locinox and other automation products and the programming of the SlimStone is very easy.



### Color options

ZILV 9005

### Specifications

- ✔ IP68 rated - Extremely resistant to water and dust
- ✔ Aluminium vandal-proof housing with scratch-resistant textured lacquer
- ✔ Energy efficient adjustable white led lights
- ✔ Highly resistant stainless steel push buttons tested for 1,000,000 pushes and more
- ✔ Easy programming of up to 100 user codes
- ✔ Frost-free thanks to smart heating
- ✔ Tested from -30 up to +85° Celsius
- ✔ Time range adjustable between pulse and timer mode (100ms - 99s)
- ✔ Working voltage keypad from 10 up to 26 Volt AC/DC
- ✔ Current: 1.0 A (with heating) / Pmax= 13,5W (with max heating)
- ✔ 2 m connection cable included

### Compatible products



MODULEC-SA



MODULEC-SH



LIKQ U2



B-MAG-

### Order code

SLIMSTONE- Weatherproof keypad with integrated relay, Input voltage 10 to 26 V AC/DC



## NEW Sturdy, frost-free and weather resistant keypad with 2 integrated relays

SLIMSTONE-2-

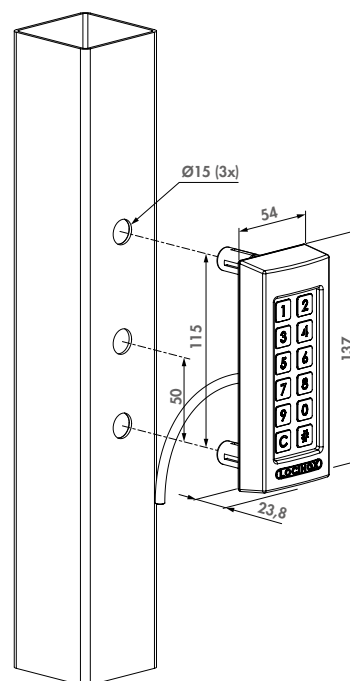
The new SlimStone-2 keypad contains two relays for an improved access control and advanced flexibility. It offers the possibility to command 2 different automation devices or to open the gate in 2 different ways. This keypad with integrated led lighting is unique thanks to its strength and extreme weather resistance (IP68). In all weather conditions, access control is guaranteed. Both integrated relays, with a Fail Open and Fail Close contact, allow an easy connection to Locinox and third-party automation products.

### Color options

ZILV 9005

### Specifications

- ✓ IP68 rated - Extremely resistant to water and dust
- ✓ Aluminium vandal-proof housing with scratch-resistant textured lacquer
- ✓ Energy efficient adjustable white led lights
- ✓ Highly resistant stainless steel push buttons tested for 1,000,000 pushes and more
- ✓ Easy installation and configuration
- ✓ Easy programming of up to 100 user codes
- ✓ Frost-free thanks to smart heating
- ✓ Tested from -30 up to +85° Celsius
- ✓ Time range adjustable between pulse and timer mode (100ms - 99s)
- ✓ Working voltage keypad from 10 up to 26 Volt AC/DC
- ✓ Current: 1.0 A (with heating) / Pmax= 13,5W (with max heating)
- ✓ 2 integrated switching relays: 2 x NO - 2 x NC - 2 x COM (Max. 2A, 60W, 26V AC/DC)
- ✓ 2 m connection cable included



### Compatible products



MODULEC-SA



MODULEC-SH



LIQ U2



### Order code

SLIMSTONE-2- Sturdy, frost-free and weather resistant keypad with 2 integrated relays

### Electrical accessories



DVK-HD



DVK



2005



PB-1

### Recommended power supplies



AC-TRANS-12V-25W



DC-POWER-12V-20W



## Surface mounted electric gate lock with Fail Open functionality

LEKQ U4 (Patented)

High quality electrical lock with aluminium housing and stainless steel mechanism. The handles are blocked when the lock is powered. The 20 mm continuous adjustability of the bolts allows a perfect latching / locking of the mechanism. A solid stainless steel deadbolt with a 23 mm throw guarantees a secure locking. For a fast and highly precise installation, we recommend using the Drill-Fix drilling jig.

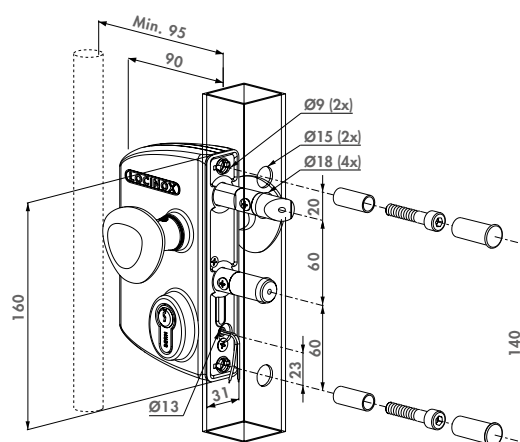


### Lockbox color options

ZILV 6005 6009 7016 9005 9010

### Specifications

- ✓ ISO 9227 KTL / E-coated lock box withstands 1000 hours of salt spray test
- ✓ Fail Open: Lock is open when power is interrupted
- ✓ Blocking or releasing of the handles
- ✓ Easy left or right changing of the self-latching daybolt
- ✓ 23 mm throw of the dead bolt, in 1 turn of the key
- ✓ Key-operated self-latching bolt
- ✓ Continuous adjustment of the daybolt up to 20 mm without dismounting the lock box
- ✓ 4-hole fixing with two hexagon socket head screws
- ✓ Interchangeable with all Locinox locks
- ✓ Voltage: 12V AC/DC
- ✓ Current: 0,3A



### Recommended keeps



SAKL QF



SHKL QF

### Order codes

For square profiles

**LEKQ3030 U4L** Adjustable from 30 mm to 50 mm

**LEKQ4040 U4L** Adjustable from 40 mm to 60 mm

**LEKQ6060 U4L** Adjustable from 60 mm to 80 mm

For round profiles

**LERQ3030 U4L** Adjustable from 30 mm to 50 mm

**LERQ4040 U4L** Adjustable from 40 mm to 60 mm

**LERQ6060 U4L** Adjustable from 60 mm to 80 mm



### Recommended handles & Cable guiding



3006R



3006C



DVK-HD



DVK

### Recommended power supplies



DC-ACCESS-12V-20W



AC-TRANS-12V-25W



DC-POWER-12V-20W





## Surface mounted electric gate lock with Fail Close functionality

LIKQ U2 (Patented)

Electric gate lock made of excellent quality with aluminium housing and stainless steel mechanism. This gate lock blocks the handles when there is no power (Fail Close). The 20 mm continuous adjustability of the bolts allows a perfect latching / locking of the mechanism. A solid stainless steel deadbolt with 23 mm throw guarantees a secure closure. For a fast and highly precise installation, we recommend using the Drill-Fix drilling jig.

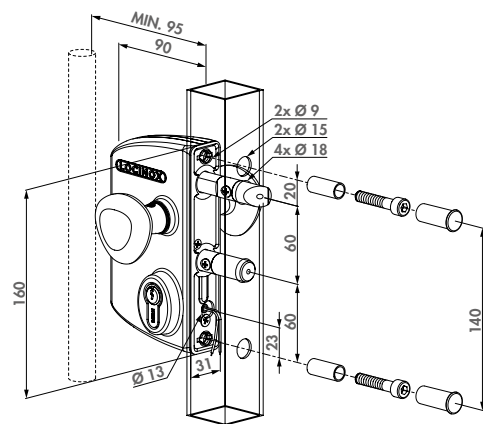


### Lockbox color options

ZILV 6005 6009 7016 9005 9010

### Specifications

- ✔ ISO 9227 KTL / E-coated lock box withstands 1000 hours of salt spray test
- ✔ Fail Close: Lock is closed when power is interrupted
- ✔ Blocking or releasing of the handles
- ✔ Easy left or right changing
- ✔ 23 mm throw of the dead bolt, in 1 turn of the key
- ✔ Key-operated self-latching bolt
- ✔ Continuous adjustment of the daybolt up to 20 mm without dismantling the lock box
- ✔ 4-hole fixing with two hexagon socket head screws
- ✔ Interchangeable with all Locinox locks
- ✔ Voltage: 12V AC/DC
- ✔ Current: 0,3A



### Recommended keeps



SAKL QF



SHKL QF

### Order codes

For square profiles

**LIKQ3030 U2L** Adjustable from 30 mm to 50 mm

**LIKQ4040 U2L** Adjustable from 40 mm to 60 mm

**LIKQ6060 U2L** Adjustable from 60 mm to 80 mm

For round profiles

**LIRQ3030 U2L** Adjustable from 30 mm to 50 mm

**LIRQ4040 U2L** Adjustable from 40 mm to 60 mm

**LIRQ6060 U2L** Adjustable from 60 mm to 80 mm



### Recommended handles & Cable guiding



3006R



3006C



DVK-HD



DVK

### Recommended power supplies



DC-ACCESS-12V-20W



AC-TRANS-12V-25W



DC-POWER-12V-20W



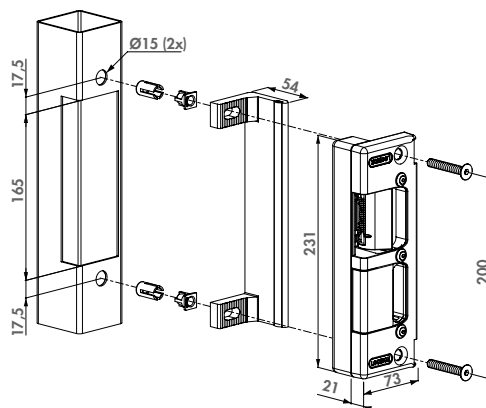
## Electric keep for surface mounted locks

SE (Patented)

Electric strike for swing gates. The strike is equipped with a blocking system that withstands 500 kg pulling force. The deadbolt receiver has been reinforced with stainless steel. This innovation makes the strike even more robust. This keep is extremely strong and the ideal solution for all your access control. SE is available in two versions: E (Emissa - Fail Close) and R (Ruptura - Fail Open).

### Specifications

- ✔ Type SE.E: Emissa - Fail Close
- ✔ Type SE.R: Ruptura - Fail Open
- ✔ Nightbolt receiver reinforced and out of stainless steel
- ✔ For post profiles of 50 mm and more
- ✔ Voltage: 12V AC/DC
- ✔ Current Emissa: 1A
- ✔ Current Ruptura: 1,5A
- ✔ Water resistant & weatherproof
- ✔ Pressure resistance on self-latching bolt: 500 kg



### Compatible locks



### Order codes

**SE-E** Electric strike, Emissa, Fail Close

**SE-R** Electric strike, Ruptura, Fail Open



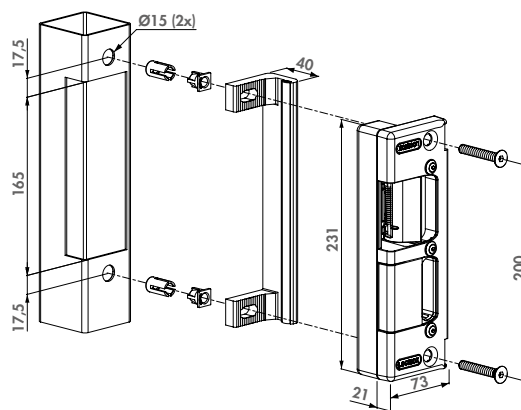
## Electric keep for insert locks

SEH (Patented)

Electric strike for H-Metal and H-Wood. The strike is equipped with a blocking system that withstands 500 kg pulling force. This keep is extremely strong and the ideal solution for all your access control. SEH is available in two versions: E (Emissa - Fail Close) and R (Ruptura - Fail Open).

### Specifications

- ✔ Type SEH.E: Emissa - Fail Close
- ✔ Type SEH.R: Ruptura - Fail Open
- ✔ Easy left or right changing
- ✔ For post profiles of 50 mm and more
- ✔ Voltage: 12V AC/DC
- ✔ Current Emissa: 1A
- ✔ Current Ruptura: 1,5A
- ✔ Water resistant & weatherproof
- ✔ Pressure resistance on self-latching bolt: 500 kg



### Compatible locks



H-METAL

H-METAL-WB

H-WOOD

### Order codes

**SEH-E** Electric strike, Emissa, Fail Close for H-Metal and H-Wood

**SEH-R** Electric strike, Ruptura, Fail Open for H-Metal and H-Wood



## Surface mounted electric keep

MODULEC-SA (Patent pending)

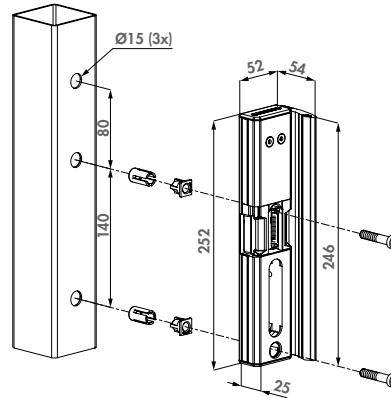
Easy-to-install electric keep for surface-mounting thanks to the patented Quick-Fix. Easily interchanged with the SA keep. Can be connected to both 12V - 24V and AC/DC. Modulec-SA is available in two versions: E (Emissa - Fail Close) and R (Ruptura - Fail Open).

### Stop plate color options

ALUM 6005 7016 9005

### Specifications

- ✔ Tested up to 500.000 movements
- ✔ Fast and easy fixing with Quick-Fix
- ✔ Resistance to pressure on the latch bolt: 300 kg
- ✔ Same drilling pattern as SA, SH and SM keeps
- ✔ Easy left or right changing
- ✔ Corrosion-resistant: black anodised housing
- ✔ Adjustable for gate profiles: 40-60 mm width
- ✔ Voltage: 12V-24V AC/DC
- ✔ Consumption: 12V - 1,25A / 24V - 0,62A
- ✔ Power: 15W



### Compatible locks



### Order code

**MODULEC-SA-E** Fail Close for surface mounted gate locks, 12-24V AC/DC

**MODULEC-SA-R** Fail Open for surface mounted gate locks, 12-24V AC/DC



## Surface mounted electric security keep

MODULEC-SH (Patent pending)

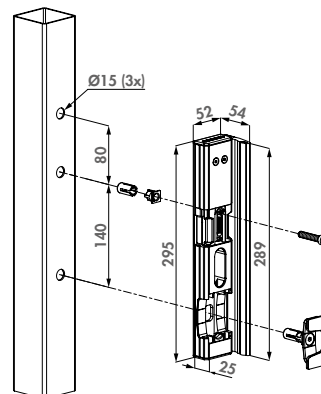
Replace your SHKL keep with an electrical surface mounted keep with Fail Close / Fail Open functionality. Easy to install thanks to the patented Quick-Fix. For 12V-24V and AC/DC. Modulec-SH is available in two versions: E (Emissa - Fail Close) and R (Rupture - Fail Open).

### Stop plate color options

ALUM 6005 7016 9005

### Specifications

- ✔ Tested up to 500.000 movements
- ✔ Resistance to pressure on the latch bolt: 300 kg
- ✔ Easy mounting with Quick-Fix
- ✔ Same drilling pattern as SA, SH and SM keeps
- ✔ Easy left or right changing
- ✔ Corrosion-resistant: black anodised housing
- ✔ Adjustable for gate profiles: 40-60 mm width
- ✔ Voltage: 12V-24V AC/DC
- ✔ Consumption: 12V - 1,25A / 24V - 0,62A
- ✔ Power: 15W



### Compatible locks



### Order code

**MODULEC-SH-E** Fail Close for surface mounted gate locks, 12-24V AC/DC

**MODULEC-SH-R** Fail Open for surface mounted gate locks, 12-24V AC/DC



## VINCI - Surface mounted mechanical code lock

LMKQ V2 (Patented)

High quality mechanical code lock with aluminium housing and stainless steel mechanism. The Vinci requires no batteries nor electricity, which makes it very easy to equip any gate with access control. The 20 mm continuous adjustability of the bolts allows a perfect latching / locking of the mechanism. A solid stainless steel deadbolt with a 23 mm throw guarantees a secure locking. For a fast and highly precise installation, we recommend using the Drill-Fix drilling jig.

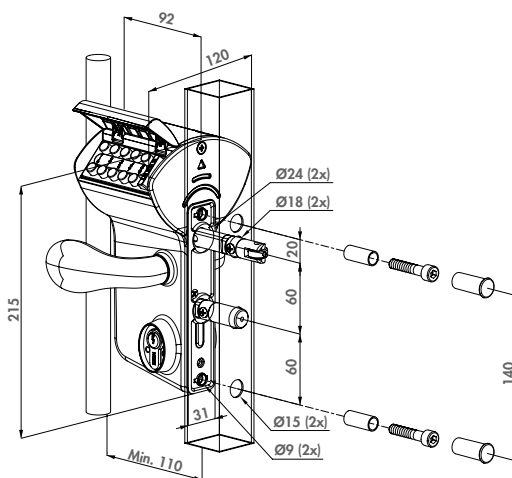


### Lockbox color options

ZILV 6005 9005 7016

### Specifications

- ✓ ISO 9227 KTL / E-coated lock box withstands 1000 hours of salt spray test
- ✓ Mechanical code panel on both sides
- ✓ Possibility to work with different entrance and exit codes
- ✓ Polyamide rain and dust cover
- ✓ Easy and fast set-up or modification of the access codes
- ✓ With adjustable rollerbolt for easy closing
- ✓ Extremely strong and user-friendly mechanism
- ✓ Automatic code reset after pushing the handle
- ✓ Anti-code detection with integrated security press plate
- ✓ Interchangeable with all Locinox locks



### Recommended keeps



SAKL QF

SHKL QF

### Order codes

For square profiles

**LMKQ3030 V2L** Adjustable from 30 mm to 50 mm

**LMKQ4040 V2L** Adjustable from 40 mm to 60 mm

**LMKQ6060 V2L** Adjustable from 60 mm to 80 mm

For round profiles

**LMRQ3030 V2L** Adjustable from 30 mm to 50 mm

**LMRQ4040 V2L** Adjustable from 40 mm to 60 mm

**LMRQ6060 V2L** Adjustable from 60 mm to 80 mm

For flat profiles

**LMPQ1010 V2L** Adjustable from 10 mm to 30 mm



### Recommended handles



3006C



3006I



3006D

### Compatible with every gate closer



SAMSON-2



VERTICLOSE-2-



MAMMOTH-180



TIGER



## FREE VINCI - Surface mounted mechanical code lock with secured entrance and free exit

LFKQ X1 (Patented)

Superb mechanical code lock with aluminium housing and stainless steel mechanism. The Free Vinci offers you the possibility to secure one side with a code for entrance while leaving the other side free for exit. No batteries nor electricity are required, which makes it very easy to equip any gate with access control. The 20 mm continuous adjustability of the bolt allows a perfect latching / locking of the mechanism. For ornamental and chain link gates. For a fast and highly precise installation, we recommend using the Drill-Fix drilling jig.

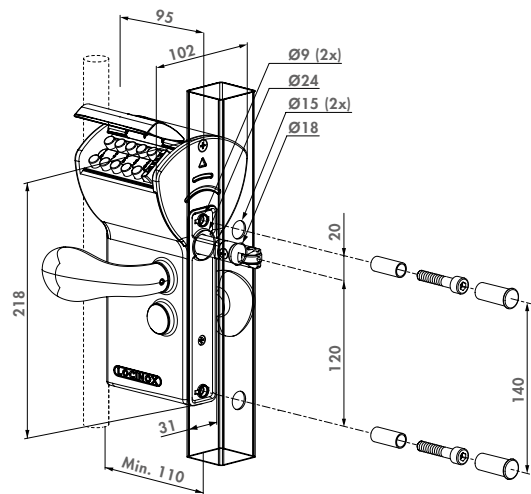


### Lockbox color options

ZILV 6005 9005

### Specifications

- ✔ ISO 9227 KTL / E-coated lock box withstands 1000 hours of salt spray test
- ✔ Entrance secured by code, free exit
- ✔ Code panel with stainless steel push buttons on one side
- ✔ Polyamide rain and dust cover
- ✔ Easy and fast set-up or modification of the access codes
- ✔ With adjustable rollerbolt for easy closing
- ✔ Extremely strong and user-friendly mechanism
- ✔ Automatic code reset after pushing the handle
- ✔ Anti-code detection with integrated security press plate
- ✔ Interchangeable with all Locinox locks



### Recommended keeps



SAKL QF



SHKL QF

### Order codes

For square profiles

**LFKQ3030 X1L** Adjustable from 30 mm to 50 mm

**LFKQ4040 X1L** Adjustable from 40 mm to 60 mm

**LFKQ6060 X1L** Adjustable from 60 mm to 80 mm

For round profiles

**LFRQ3030 X1L** Adjustable from 30 mm to 50 mm

**LFRQ4040 X1L** Adjustable from 40 mm to 60 mm

**LFRQ6060 X1L** Adjustable from 60 mm to 80 mm

For flat profiles

**LFPQ1010 X1L** Adjustable from 10 mm to 30 mm



### Compatible easy exit handles



PUSHBAR-L



3006PUSH

# BUILT-IN MAGNETIC LOCKS

## A FULL CONCEPT FOR SWING GATES

### MAGUNIT

High quality insert magnetic lock with guaranteed holding force and long durability. 500h salt spray resistant.

### N-LINE-B-MAG

Aesthetic, adjustable and powder coated finishing profile for swing gates preventing people to stumble against protruding parts.

### 3006PULL

Elegant powder coated handle for easy opening and closing of the gate.

#### TIP

- Save time and order the all-in-one **N-LINE-B-MAG KIT**
- Make your gate self-closing with the powerful **VERTICLOSE-2** gate closer



Built-in magnetic lock

## B FULL CONCEPT FOR SLIDING GATES



### MAGUNIT

High quality insert magnetic lock with guaranteed holding force and long durability. 500h salt spray resistant.

### N-LINE-S-MAG

Aesthetic, adjustable and powder coated finishing profile for sliding gates preventing people to stumble against protruding parts.

### 3006PULL

Elegant powder coated handle for easy opening and closing of the gate.



#### TIP

- Add access control to your gate with the strong, frost-free and watertight **SLIMSTONE** keypad (IP68)





## Integrated magnet lock for swing gates

B-MAG-

Thanks to its assembly in the pole, this magnet lock can be installed invisibly and aesthetically, whilst maximal passage space is maintained. A quick assembly is done with Quick-Fix. It has a guaranteed tensile strength of 250 kg and resists to extreme weather conditions. The rubber bumpers prevent shaking of the gate, and damage to the gate and its accessories in case of harsh handling, and the flexible assembly of the armature plate guarantees a good closing even if the gate isn't perfectly aligned.

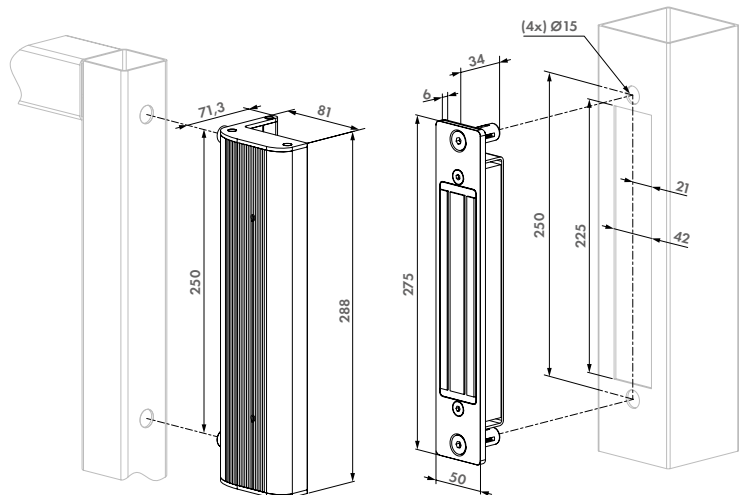


### Color options

ZILV 9005

### Specifications

- ✔ Guaranteed holding force tested on every Maglock
- ✔ 500h salt spray resistant! SGS certified (ISO 9227)
- ✔ Special two-layer protective coating developed for outdoor use
- ✔ Anti-residual magnetism kick-off system
- ✔ Minimal pulling force: 2500N (250 kg)
- ✔ Current: 460mA/12V or 230mA/24V



### Order codes

**B-MAG-** Integrated magnet and bolt-on anchorplate for swing gates



### Recommended products



SLIMSTONE-



PB-1



DVK-HD



DC-ACCESS-12V-20W



DC-POWER-12V-20W



DC-POWER-24V-25W

## Set with magnet and anchorplate for N-LINE (B or S)-MAG profiles

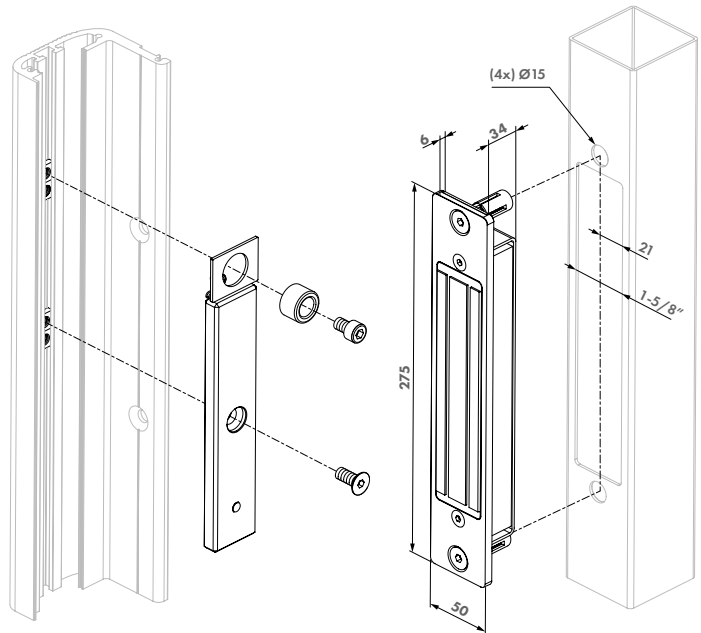
MAGUNIT-2500

Set with a MAG-2500 and anchorplate along with fittings to combine with a N-LINE-B-MAG or N-LINE-S-MAG, 1 or more MAGUNITs can be mounted in the N-LINE profile.



### Specifications

- ✔ Guaranteed holding force tested on every Maglock
- ✔ 500h salt spray resistant! SGS certified (ISO 9227)
- ✔ Special two-layer protective coating developed for outdoor use
- ✔ Anti-residual magnetism kick-off system
- ✔ Current: 460mA/12V or 230mA/24V
- ✔ Voltage: 12V / 24V DC
- ✔ Minimal pulling force: 2500N (250 kg)



### Order codes

**MAGUNIT-2500** Magnet and anchorplate for N-LINE-B-MAG and N-LINE-S-MAG profiles



### Required products



N-LINE-B-MAG-

N-LINE-S-MAG-





## Aluminium finishing profile for swing gates to combine with MAGUNIT

N-LINE-B-MAG-

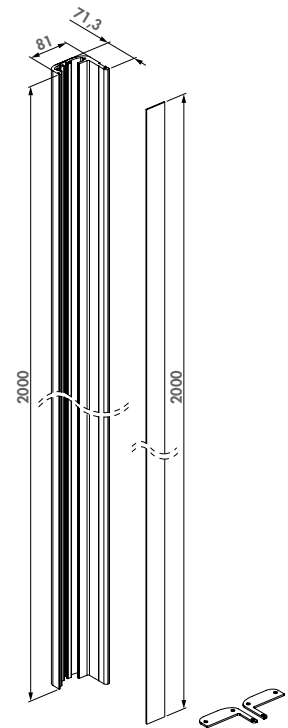
Adjustable, powder coated aluminium design profile for aesthetic closing of swing gates along with 1 or more MAGUNITs. Prevents passersby to stumble against the protruding MAG parts.

### Color options

ZILV 9005

### Specifications

- ✔ Profile length of 2 m
- ✔ Fast and easy fixing with Quick-Fix
- ✔ Powder coated aluminium housing
- ✔ Specially designed for exterior use



### Compatible magnet



MAGUNIT-2500

### Order codes

**N-LINE-B-MAG-** Aluminium finishing profile for MAGUNIT-2500



## Aluminium finishing profile for sliding gates to combine with MAGUNIT

N-LINE-S-MAG-

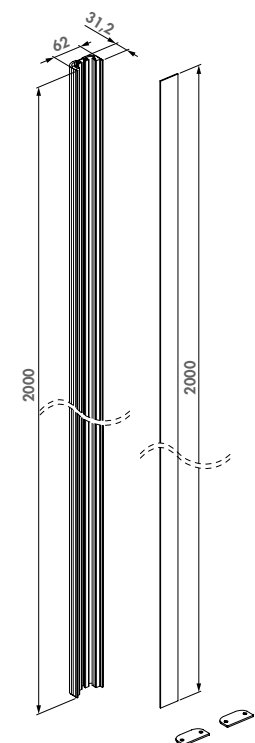
Adjustable, powder coated aluminium design profile for aesthetic closing of sliding gates along with 1 or more MAGUNIT-2500. Thanks to the integrated magnet and the armature plate, which are both integrated in the design profile, a safe and complete solution without any protruding components is guaranteed.

### Color options

ZILV 9005

### Specifications

- ✔ Profile length of 2 m
- ✔ Fast and easy fixing with Quick-Fix
- ✔ Powder coated aluminium housing
- ✔ Specially designed for exterior use



### Compatible magnet



MAGUNIT-2500

### Order codes

**N-LINE-S-MAG-** Aluminium finishing profile for MAGUNIT-2500



## Set with N-LINE-B-MAG & 2x MAGUNIT

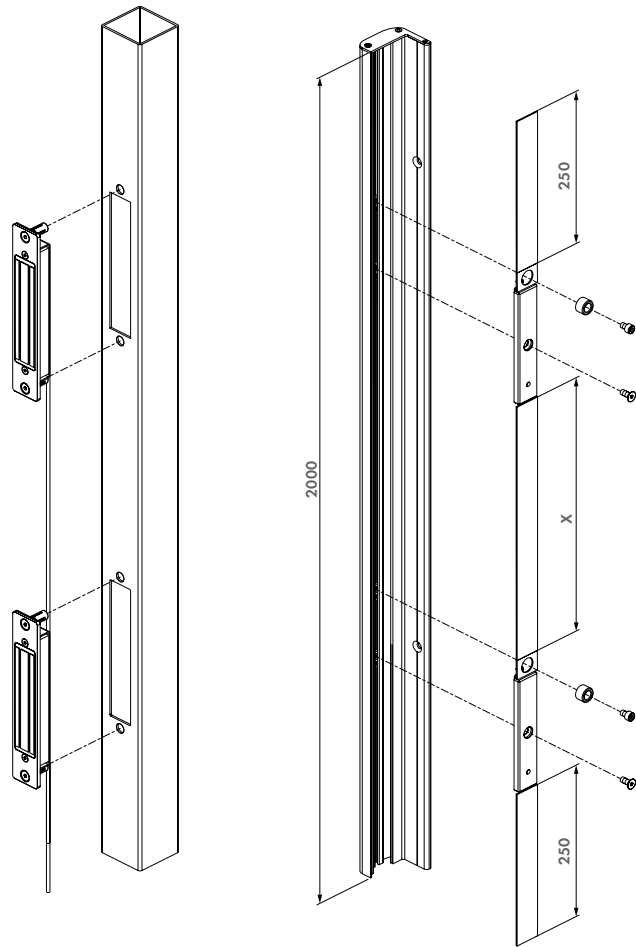
N-LINE-B-MAG-KIT-

Electromagnetic set for swing gates for fixing to the gate frame. The set consists of two MAGUNIT and an aesthetic design profile. Available in ZILV and RAL9005.



### Specifications

- ✓ Includes 2 integrated magnets equipped with Quick-Fix mounting (MAGUNIT-2500)
- ✓ Including aluminium filling profile with Quick-Fix mounting (N-LINE-B-MAG profile)
- ✓ Profile length of 2 m
- ✓ Including 2 aluminium covers for an aesthetical finishing on top and bottom
- ✓ Specially designed for exterior use
- ✓ Voltage: 12V / 24V DC
- ✓ Current: 460mA / 12V or 230mA / 24V



### Order codes

**N-LINE-B-MAG-KIT-**

Set with N-LINE-B-MAG profile and 2x MAGUNIT-2500



### Kit includes



N-LINE-B-MAG-



MAGUNIT-2500





## Integrated magnet lock for sliding gates

S-MAG-

S-MAG is the perfect product to lock any type of sliding gate. It has a guaranteed tensile strength of 250 kg and resists extreme weather conditions. In case of harsh handling, the rubber bumpers prevent shaking of the gate. This way, the gate itself and its accessories are protected. The flexible assembly of the armature plate guarantees a normal closing, even if the gate isn't perfectly aligned.

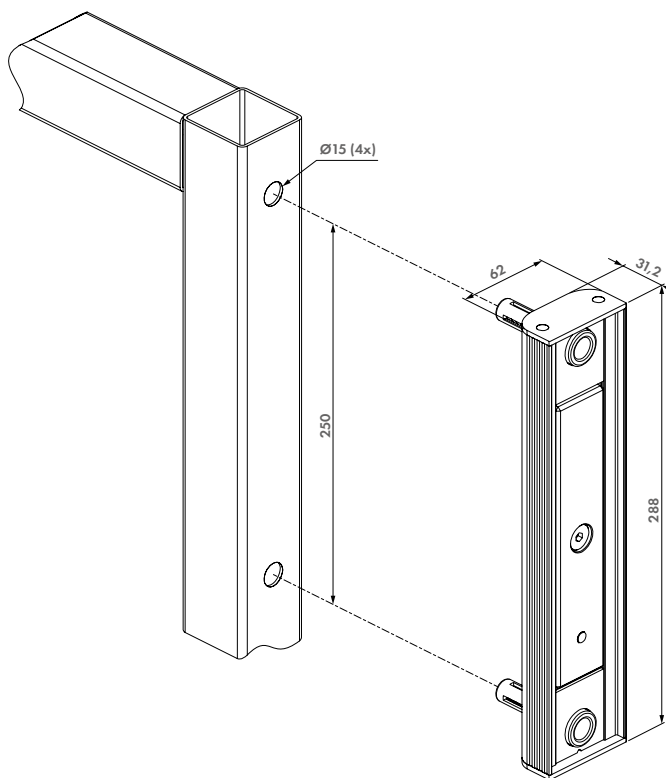


### Color options

ZILV 9005

### Specifications

- ✔ Guaranteed holding force tested on every Maglock
- ✔ 500h salt spray resistant! SGS certified (ISO 9227)
- ✔ Special two-layer protective coating developed for outdoor use
- ✔ Anti-residual magnetism kick-off system
- ✔ Minimal pulling force: 2500N (250 kg)
- ✔ Current: 460mA/ 12V or 230mA/24V



### Order codes

**S-MAG-** Integrated magnet and bolt-on anchorplate for sliding gates, 250 kg pulling force



### Recommended products



SLIMSTONE-



PB-1



DVK-HD



DC-ACCESS-12V-20W



DC-POWER-12V-20W



DC-POWER-24V-25W

# SURFACE MOUNTED MAGNETIC LOCKS

## FULL CONCEPT FOR SWING GATES



### MAGMAG

High quality surface mounted magnetic lock with guaranteed holding force and long durability. 500h salt spray resistant

### N-LINE-MAG

Aesthetic, adjustable and powder coated finishing profile for swing gates preventing people to stumble against protruding parts

### 3006PULL

Elegant powder coated handle for easy opening and closing of the gate

#### TIP

- Save time and order the all-in-one **N-LINE-MAG-KIT**
- Add access control to your gate with the strong, frost-free and watertight **SLIMSTONE** keypad (IP68)
- Make your gate self-closing with the aesthetic **MAMMOTH** gate closer



Electromagnetic lock with handles

✓ GUARANTEED PERFORMANCE

✓ COMFORTABLE

✓ WEATHERPROOF

✓ DURABLE

✓ TESTED & APPROVED



## Surface mounted Magnetic lock with integrated handles

MAG



Innovative electro-magnetic lock for access control. Available in 2 versions. MAG2500 with 250 kg and MAG5000 with 500 kg pulling force. The aluminium powder coated housing with integrated design handles gives your access control gate that extra touch. Stop losing precious time with welding boxes; drilling 7 holes does the job. The Quick-Fix enables a fast and strong fixing. A two layer, protective coating guarantees that our electro-magnetic locks are ready for years of worry-free use outside.



### Color options

ZILV 6005 9005

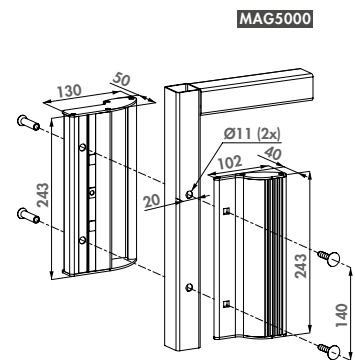
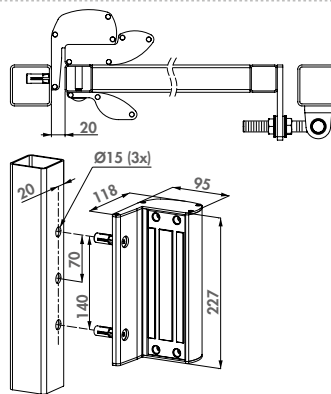
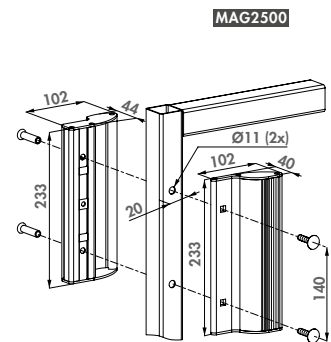
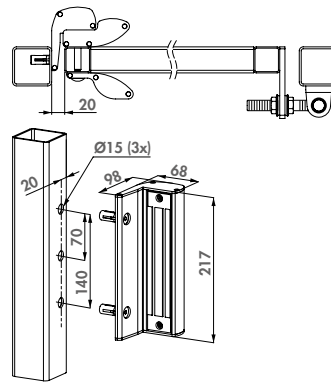
### Specifications

- ✔ 500h salt spray resistant! SGS certified (ISO 9227)
- ✔ Guaranteed holding force tested on every Maglock
- ✔ Special two-layer protective coating developed for outdoor use
- ✔ Powder coated aluminium housing
- ✔ Anti-residual magnetism kick-off system
- ✔ Raised edge on the magnet housing makes it impossible to put a crowbar between the magnet and the armature plate
- ✔ Fast and easy fixing by means of 5 holes with Quick-Fix
- ✔ Voltage: 12V / 24V DC
- ✔ Current: 460mA / 12V or 230mA / 24V

### Order codes

**MAG-2500** For square posts and gate profiles of 40 mm to 80 mm, 250 kg pulling force

**MAG-5000** For square posts and gate profiles of 40 mm to 80 mm, 500 kg pulling force



### Recommended products



N-LINE-MAG-2500



PB-1



DVK-HD



DC-ACCESS-12V-20W



DC-POWER-24V-25W

## Surface mounted Electro-magnetic lock without integrated handles

MAGMAG



Magnetic lock without handle. Available in 2 versions. MAGMAG2500 with 250 kg and MAGMAG5000 with 500 kg of pulling force. The aluminium powder coated housing equipped with the unique Quick-Fix ensures a fast and nicely finished mounting. Eliminate time-consuming welding; drilling 5 holes is enough to fix the lock. A two layer, protective coating guarantees that our electro-magnetic locks are ready for years of worry free use outside.

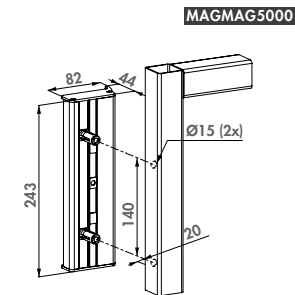
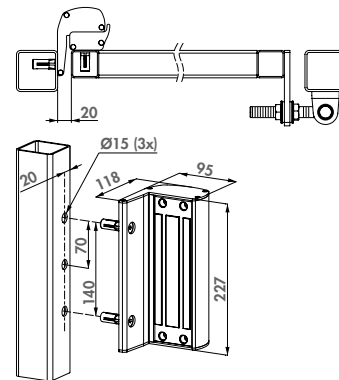
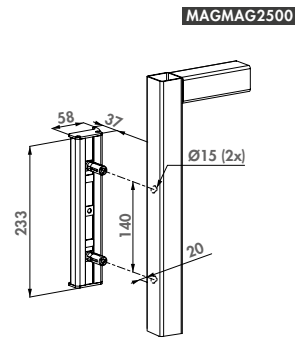
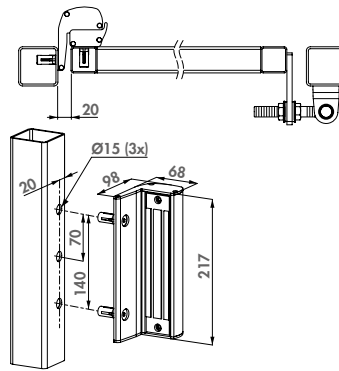


### Color options

ZILV 6005 9005

### Specifications

- ✔ 500h salt spray resistant! SGS certified (ISO 9227)
- ✔ Guaranteed holding force tested on every Maglock
- ✔ Special two-layer protective coating developed for outdoor use
- ✔ Powder coated aluminium housing
- ✔ Anti-residual magnetism kick-off system
- ✔ Raised edge on the magnet housing makes it impossible to put a crowbar between the magnet and the armature plate
- ✔ Fast and easy fixing by means of 5 holes with Quick-Fix
- ✔ Voltage: 12V / 24V DC
- ✔ Current: 460mA / 12V or 230mA / 24V



### Order codes

**MAGMAG-2500** For square posts and gate profiles of 40 mm to 80 mm, 250 kg pulling force

**MAGMAG-5000** For square posts and gate profiles of 40 mm to 80 mm, 500 kg pulling force



### Recommended products



N-LINE-MAG-2500



PB-1



DVK-HD



DC-ACCESS-12V-20W



DC-POWER-24V-25W



## Profile for MAG2500 and MAGMAG2500 magnetic locks

N-LINE MAG

Adjustable, powder coated aluminium design profile for aesthetic closing of the gaps between 2 MAG2500 or MAGMAG2500 magnetic locks. To be fixed to the post. Prevents passersby to bump into the protruding Maglock parts.

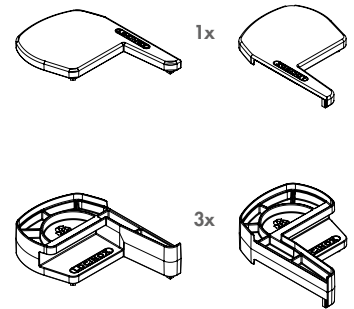
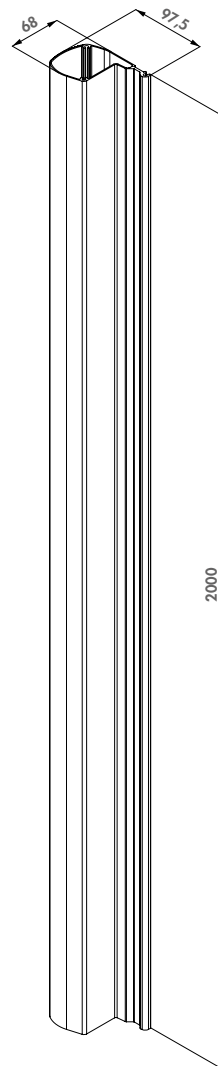


### Color options

ZILV 9005

### Specifications

- ✓ Profile length of 2 m
- ✓ Delivered with self drilling screws, compatible with Quick-Fix
- ✓ 2 plastic cover caps and 6 in between caps included
- ✓ Separate adaptor needed with 3006PULL, delivered with 3006PULL



### Order code

**N-LINE-MAG-2500** Aluminum finishing profile for MAG-2500 & MAGMAG2500



### Recommended magnetic locks



MAG-2500

MAGMAG-2500



## Set with N-LINE MAG profile, 2 x MAGMAG2500

N-LINE MAG KIT-2500

Set with N-LINE MAG profile and 2x MAGMAG2500 and 3006PULL handle. 3006PULL handle is included to finish your gate. Aesthetic solution which prevents passersby to bump into the Maglock parts.



### Color options

ZILV 9005

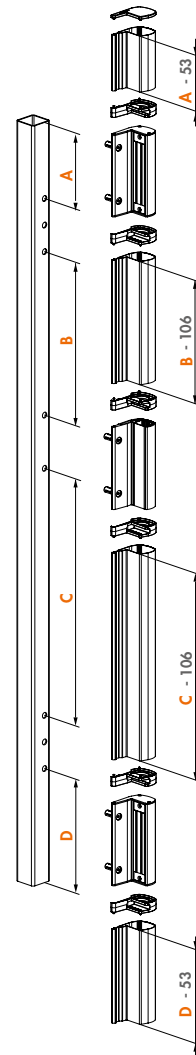
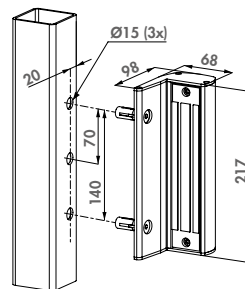
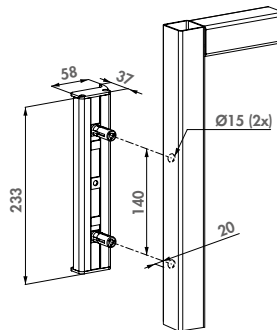
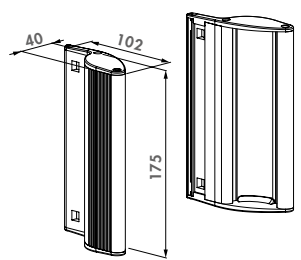
### Specifications

- ✔ Adjustable aluminium design profile to mount above, below and in between the magnets
- ✔ Profile length of 2 m
- ✔ Delivered with self drilling screws, compatible with Quick-Fix
- ✔ 2 plastic cover caps and 6 in between caps included
- ✔ Aluminium 3006PULL handle included
- ✔ Delivered with 2x MAGMAG2500
- ✔ Voltage: 12V / 24V DC
- ✔ Current: 460mA / 12V or 230mA / 24V

### Order code

**N-LINE MAG KIT-2500**

Set with N-LINE MAG profile and 2x MAGMAG2500 and 3006PULL handle



### Kit includes



N-LINE-MAG-2500



MAGMAG-2500



3006PULL



## Motorised electrical drop bolt

ELECTRADROP (Patented)

Electric 24V drop bolt with 115 mm throw for safe locking of automated swing gates. By securing your gate with an Electradrop you disburden the electric gate motors.

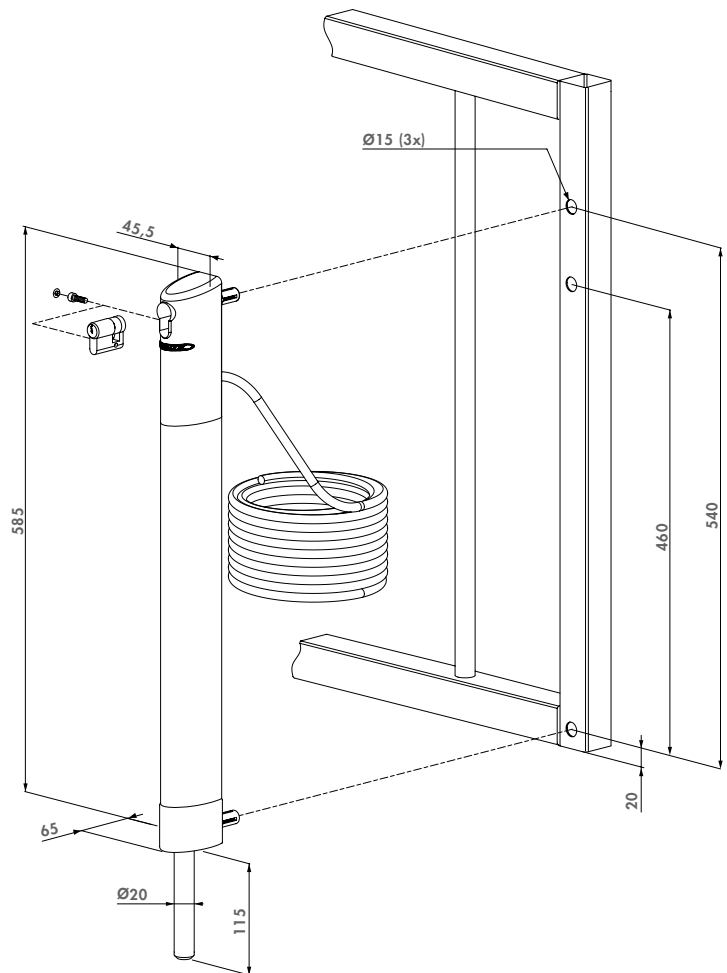


### Color options

ZILV 9005

### Specifications

- ✔ Vandal-proof, powder coated aluminium housing
- ✔ To be connected to the warning light on automated gates (min 3 sec prewarning signal) or directly on the gate automation
- ✔ Mechanical release possible (by key) in case of emergency
- ✔ Fitted with relay for drop bolt detection
- ✔ Obstacle detection with automatic stop of the drop bolt in case of a pressure exceeding 18 kg
- ✔ Consumption: 25 W / Standby: 0,2 W
- ✔ 5 m cable included
- ✔ Included: 3012-37-STD cylinder
- ✔ To connect to a Locinox DC-POWER-24V-25W power supply



### Order code

**ELECTRADROP** For profiles 40 x 40 mm or more



### Compatible ground stop & power supply



OGS



DC-POWER-24V-25W

## Design LED-lighting for fences & gates

### TRICONE

Plug & Play design led lighting for your fences & gates. Gives your gate an aesthetical look with minimal power consumption! The Quick-Fix provides a fast and strong fixing on your fencing.

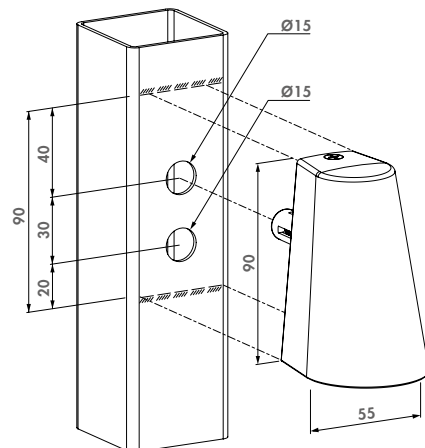


#### Color options

ZILV 9005

#### Specifications

- ✔ Easy mounting with Quick-Fix
- ✔ Aluminium housing with plastic (POM) cable guiding
- ✔ 3 white High-Flux led Lights
- ✔ ± 140° beam angle
- ✔ Life expectancy: 50.000 hours
- ✔ 300 lux (illuminance)
- ✔ Power: ± 1W (with 12V DC)
- ✔ 12V AC or DC (max. 18V DC or peak AC)
- ✔ Minimum power consumption and long lasting performance
- ✔ Resin encapsulated print circuit board for maximum weather resistance
- ✔ Power up to 20 Tricone with 1 Locinox AC transformer or up to 15 with the DC power
- ✔ IP54



#### Order code

TRICONE Design led-lighting for gates with Quick-Fix



#### Cable guiding



DVK-HD



DVK



2005



PB-1

#### Recommended power supplies



AC-TRANS-12V-25W



DC-POWER-12V-20W



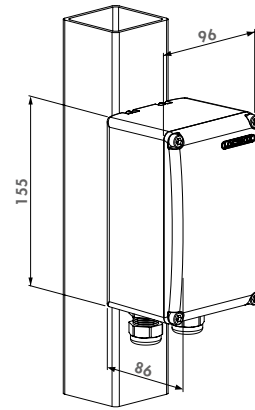
DC-ACCESS-12V-20W



## Powerbox - Transformer housing

PB-1

Aluminium powder coated transformer box with Quick-Fix for strong and easy fixing. IP66



### Housing color options

ZILV 9005

### Specifications

- ✔ Waterproof transformer box - IP66
- ✔ Aluminium powder coated
- ✔ DIN-rail included: 86 mm (5 units)
- ✔ Supplied with 2 gland nuts M20 and 2 stop plugs M16
- ✔ Designed with heat-dissipation fins at the back

### Housing for power supplies and timer



AC-TRANS-12V-25W



DC-ACCESS-12V-20W



DC-POWER-12V-20W



DC-POWER-24V-25W

### Order code

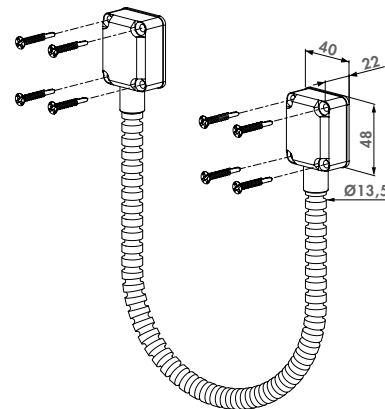
PB-1 Transformer housing with DIN-rail and Quick-Fix fixing



## Guiding cable

DVK

Stainless steel guiding cable to protect your electrical wires in an outside environment.



### Color options

ZILV

### Specifications

- ✔ Stainless steel guiding cable for electrical wire
- ✔ Length of the cable: 450 mm
- ✔ Supplied with 8 self tapping screws
- ✔ Inner diameter: Ø10,5 mm

### Recommended cable



### Order code

DVK Reinforced stainless steel guiding cable 450 mm

2005



## Reinforced, braided stainless steel guiding cable

DVK-HD

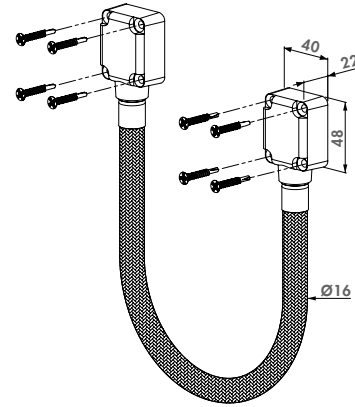
Aesthetic and durable solution for the guidance of electrical wiring. Protects your wiring against dirt, moist and vandalism in an outside environment. The cable wraps around and protects the cabling of your electrical gate hardware and avoids the risk of short circuiting.

### Color options

ZILV

### Specifications

- ✔ Vandal-proof, stainless steel, braided guiding cable
- ✔ Available with 450 or 650 mm braided cable
- ✔ Protects electrical wiring against vandalism, moist, dirt and vermin
- ✔ Strong fixation by means of 8 self-tapping stainless steel screws
- ✔ Cable entry: aluminium housing
- ✔ Inner diameter: Ø9 mm



### Recommended cable



### Order codes

**DVK-HD-450** Reinforced stainless steel guiding cable 450 mm

**DVK-HD-650** Reinforced stainless steel guiding cable 650 mm

2005



## Electrical wire

2005

Electrical cable; very flexible and weatherproof.

### Specifications

- ✔ Length of the wire: 5 m
- ✔ 2 x 0,75 mm<sup>2</sup>
- ✔ Water resistant & weatherproof
- ✔ Tested at 500.000 bendings
- ✔ Kink resistant

### Order code

**2005** Electrical cable 5 m - 2 x 0,75 mm<sup>2</sup>



## Safety transformer 12V AC

AC-TRANS-12V-25W

Safety Transformer 12V AC

### Specifications

- ✔ Mounting on DIN-rail or directly
- ✔ Power: 25W
- ✔ Primary voltage: 230V AC - Secondary voltage 12V AC
- ✔ Aluminium housing
- ✔ Robust control module: encapsulated for superior humidity resistance

### Order code

**AC-TRANS-12V-25W** Transformer 12V AC - 25W



## All-in one 12V DC Access Module with integrated timer

DC-ACCESS-12V-20W

All-in-one, Plug & Play Access Module (220V AC input). Including power supply and integrated timer with easy to read display and easy to operate: time range (1 to 99s) of switched state controlled by push buttons. A 12 V DC Fail Open or Fail Close device can be easily connected to the module.

### Specifications

- ✔ Mounting on DIN-rail or directly
- ✔ Time range (1 to 99s) of switched state controlled by push buttons
- ✔ Set time clearly visible on display
- ✔ Robust control module: encapsulated for superior humidity resistance
- ✔ Input voltage: 220V AC / Maximum output power: 25W

### Order code

**DC-ACCESS-12V-20W** All-in one 12V DC Access Module with integrated timer



## Safety power supply 12V and 13V DC

DC-POWER-12V-20W

Safety power supply 12V / 13V DC - 20W

### Specifications

- ✔ Mounting on DIN-rail or directly
- ✔ Power: 20W
- ✔ Primary voltage: 230V
- ✔ Secondary voltage: 12V and 13V DC
- ✔ Aluminium housing
- ✔ Robust control module: encapsulated for superior humidity resistance

### Order code

**DC-POWER-12V-20W** Power supply 12 V DC - 20 W



## Safety power supply 24V and 25V DC

DC-POWER-24V-25W

Safety power supply 24V / 25V DC - 25W

### Specifications

- ✔ Mounting on DIN-rail or directly
- ✔ Power: 25W
- ✔ Primary voltage: 230V
- ✔ Secondary voltage: 24V and 25V DC
- ✔ Aluminium housing
- ✔ Robust control module: encapsulated for superior humidity resistance

### Order code

**DC-POWER-24V-25W** Power supply 24-25V DC - 25W



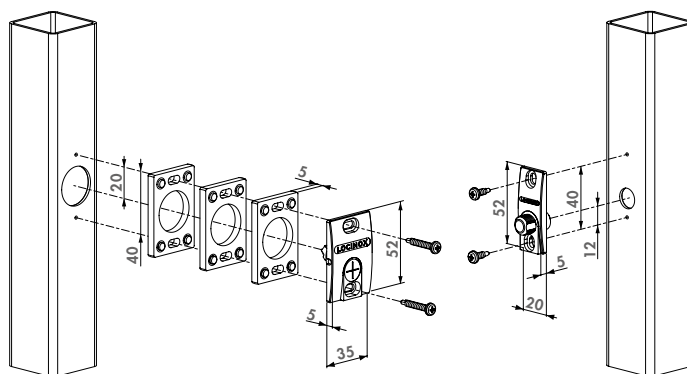
## Position detection set for gates - stand alone

### GATESWITCH

Multi-purpose position detection set, consisting out of a magnet and magnetic switch. This set can be easily connected to any electrical system like your access control or burglary system. The distance between the magnets can be easily changed by means of an adjustable magnet and included filler plates.

#### Specifications

- ✔ Possibility to activate led light when the sensor detects the magnet (requires 12V DC at the gate)
- ✔ Operates with Normally Open (N/O) or Normally Closed (N/C) contacts
- ✔ Required distance between the gate and the post is minimum 10 mm and maximum 50 mm
- ✔ Easy adjustment of distance between sensor and magnet by means of filling plates (fillers) and screwable magnet



#### Recommended power supplies



DC-POWER-12V-20W



DC-ACCESS-12V-20W

#### Order code

**GATESWITCH** For gate situations with a min. gap of 10 mm and max. 50 mm between post and gate







**NEW** Tool case with drilling jig for surface mounted lock and corresponding keep

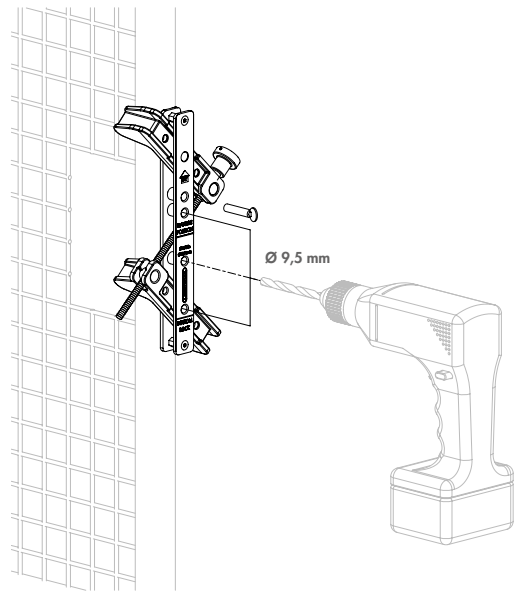
DRILL-FIX



Quickly and accurately install Locinox surface mounted locks and keeps with our brand new Drill-Fix jig. This jig is designed to self-center on square or round posts, and guarantees perfect alignment. This will allow you to easily drill the 4 hole pattern for the lock or the two holes necessary for the keep. The Drill-Fix comes in a sleek and sturdy case that includes all the necessary accessories to install Locinox locks and keeps.

**Specifications**

- ✔ Tool case with self-centering drilling tool for fast assembly of Locinox surface mounted gate locks and keeps
- ✔ Drill jig can be used for round, square or rectangular profiles from 30 up to 76 mm
- ✔ Includes 3 drill bits (Ø9,5 mm, Ø15 mm, Ø18 mm)
- ✔ Installation of Locinox surface mounted locks and keeps in 4 easy steps
- ✔ Includes Locitool LA
- ✔ Includes Allen Key and positioning pin



**Order code**

**DRILL-FIX** Tool case with drilling jig for lock and keep

**4 Easy installation steps**



**Compatible locks**



LAKQ U2



LDKZ D1



LMKQ V2



LAKQ H2

**Compatible keeps**



MODULEC-SA



SAKL QF



SHKL QF



SMKL QF



**NEW** Installation and drilling jig for Tiger gate closer

TIGERDRILL

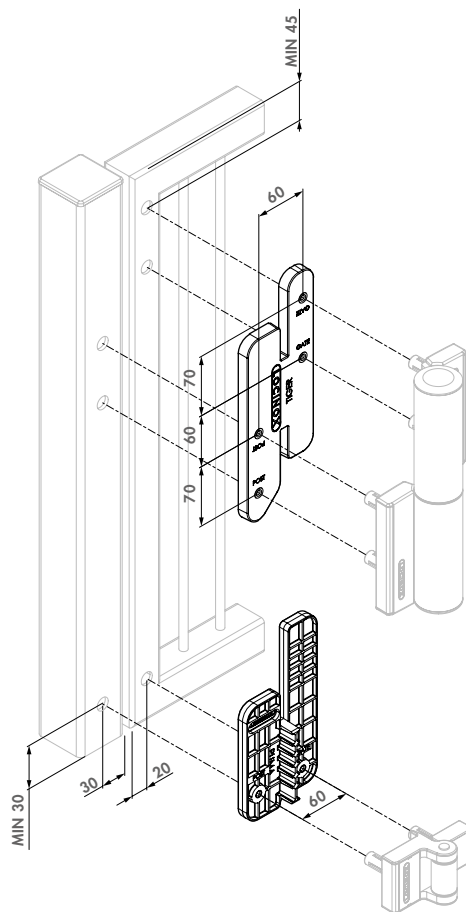


Tool case with installation and drilling jig to perfectly align and install the Tiger gate closer and its Puma hinge. This tool guarantees perfect alignment and a fast and easy installation. No measuring needed, just fix the tool on the post, drill the holes, install the Tiger and Puma, and close the gate.



**Specifications**

- ✔ 2 supplied drills Ø5 / Ø15 mm
- ✔ Spare set with 10 Quick-Fix expanders
- ✔ Solid plastic box with compartments for convenient storage
- ✔ Including accessories for mounting and adjustment of Tiger
- ✔ Recommended to be combined with Drillvise-IV



**Order code**

**TIGERDRILL** Installation and drilling jig for Tiger gate closer

**Recommended accessories**



DRILLVISE-II



DRILLVISE-IV

## NEW Assembly and drill calibre for Rhino gate closer

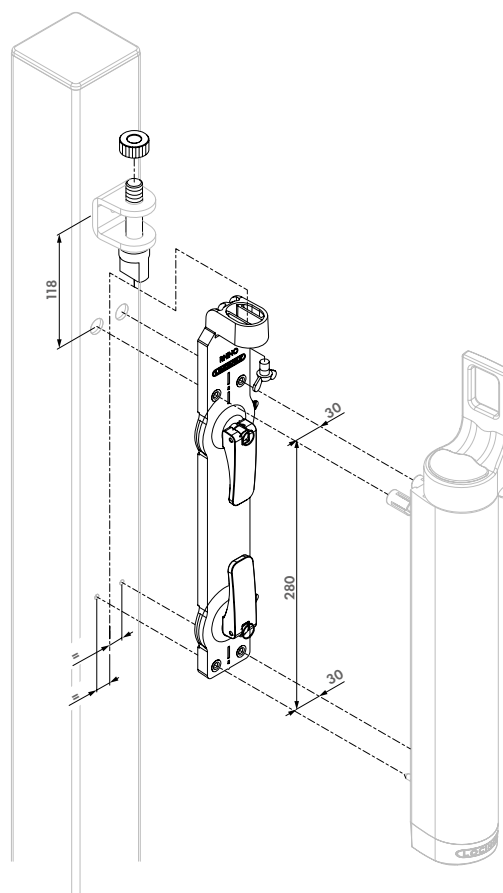
RHINODRILL

Toolbox with installation kit to drill holes when mounting Rhino gate closer on Locinox hinges. Rhino uses the hinge to close the gate. This tool guarantees a perfect alignment of the Rhino gate closer to the existing hinge. No more measuring: fix, drill, install and ready.



### Specifications

- ✓ 2 supplied drills Ø5 / Ø15 mm
- ✓ Spare set with 10 Quick-Fix expanders
- ✓ Solid plastic box with compartments for convenient storage
- ✓ Positions Rhino perfectly with regards to the Locinox hinge
- ✓ Including accessories for assembly and adjustment of Rhino



### Order code

RHINODRILL Assembly and drill calibre for Rhino gate closer

### Recommended accessories



DRILLWISE-II



DRILLWISE-IV



## NEW Assembly and drill calibre for Lion and Verticlose-2 gate closers

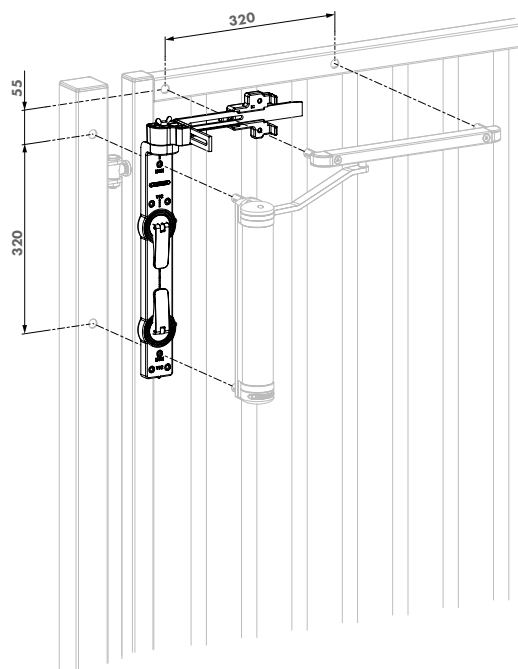
LION-VTC-DRILL

Toolbox with the required tools to install both Lion and Verticlose-2 gate closers very quickly and efficiently. The Lion-VTC Drill guarantees a flawless alignment of the gate closer in relation to the gate. No more measuring - just fix, drill, install and ready. Highly recommended.



### Specifications

- ✔ Sturdy box with compartments
- ✔ Spare set with 10 Quick-Fix expanders
- ✔ 2 supplied drills Ø5 / Ø15 mm



### Order code

LION-VTC-DRILL Installation and drilling jig for Lion & VTC-2 gate closers

### Related products



DRILLVISE-II



DRILLVISE-IV

## Clamp set for gate frame positioning

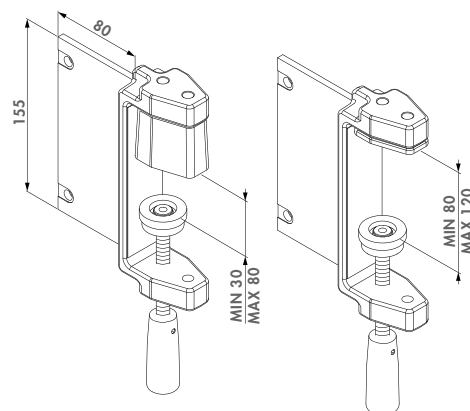
DRILLVISE-II

Handy toolbox with all components to position the gate frame as opposed to the fixed post upon assembly of the hinges, gate closers and other accessories.



### Specifications

- ✔ Solid plastic box with compartments for convenient storage
- ✔ 2 special clamps with 30-120 mm adjustability with support plates to position gate frames
- ✔ Strong steel clamp with padding to avoid damage



### Related products



TIGERDRILL



RHINODRILL

### Order code

DRILLVISE-II Clamp set for gate frame positioning

## Toolbox with 4 Locinox clamps

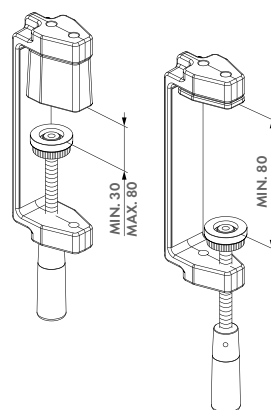
DRILLVISE-IV

Toolbox with set of 4 clamps to fix drill tools and accessories for assembly or installation. Perfect when combined with Tigerdrill for installation of the Tiger gate closer.



### Specifications

- ✔ Solid plastic box with compartments for convenient storage
- ✔ 4 special clamps with 30-120 mm adjustability
- ✔ Strong steel clamp with padding to avoid damage
- ✔ Soft plastic mounting surfaces guarantee a perfect grip without risk of damage



### Related products



TIGERDRILL



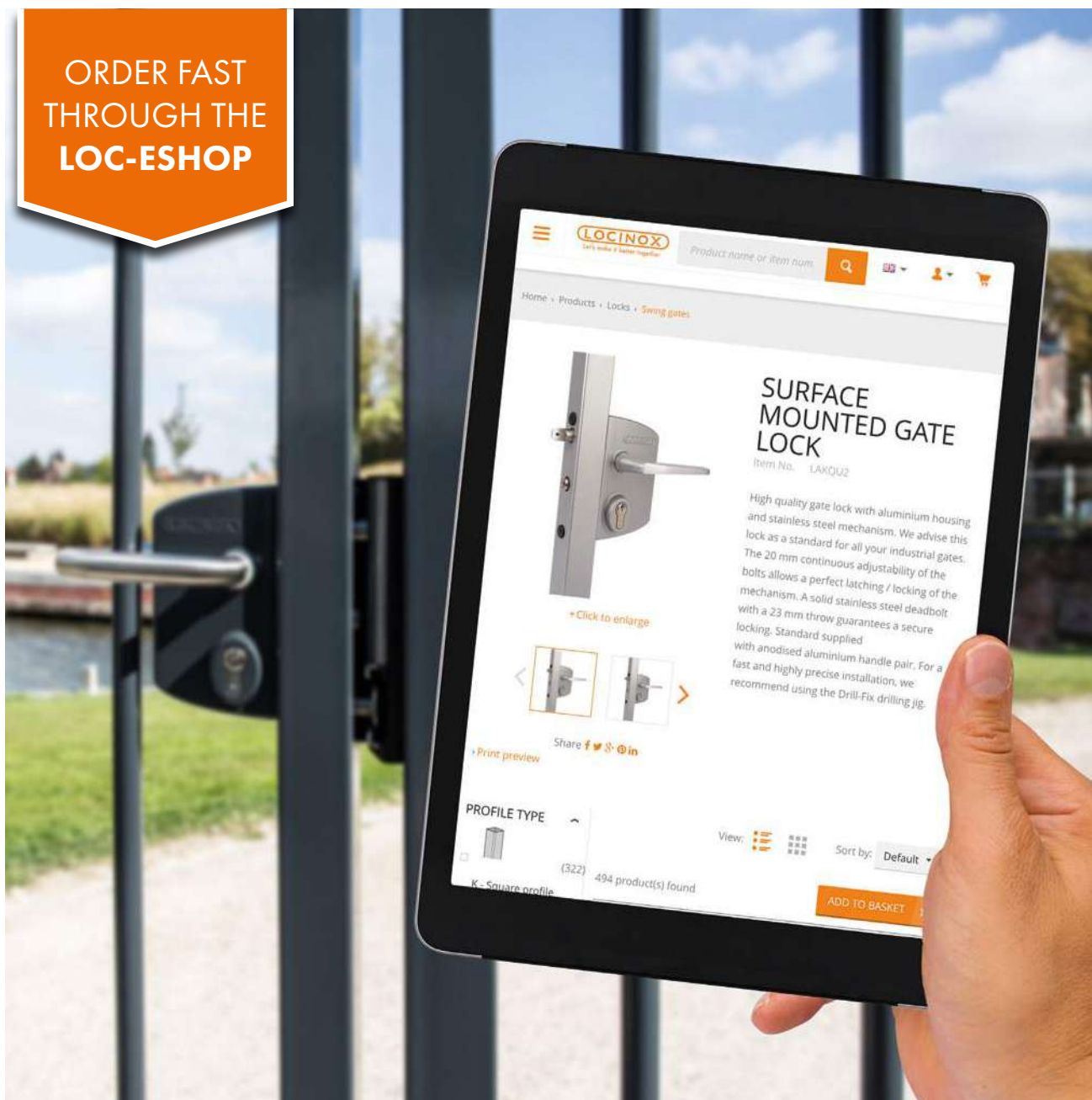
RHINODRILL

### Order code

DRILLVISE-IV Toolbox with 4 Locinox clamps



ORDER FAST  
THROUGH THE  
LOC-ESHOP



In a world where business never stops and where providing a fast service is crucial, Locinox is determined to stay ahead.

Order any of our products 24/7 thanks to the Loc-eshop.

Visit the Loc-eshop on [www.locinox.com](http://www.locinox.com)

## LOC E SHOP

order when it suits you

Guaranteed  
shipping  
within 24h





## FORWARD

Innovation as the engine  
of your growth



## MODULARITY

Designed with flexibility  
at every moment



## ADDED VALUE

High quality to ensure  
your peace of mind



## 24/7 WEBSHOP

Order when  
it suits you



## FULL SERVICE

Exceptional  
after-sales service



## 3 YEAR WARRANTY

Sustainable solutions in  
the very long term



## TRANSPARENCY

A sincere and clear  
communication, day after day



## RELIABLE

Our promises and  
deadlines are always met



## LOYAL

Long-term relationships and a  
win-win situation for everyone

### LOCINOX NV

Mannebeekstraat 21  
8790 Waregem — Belgium

T. +32 (0)56 77 27 66

F. +32 (0)56 77 69 26

E. [info@locinox.com](mailto:info@locinox.com)

[www.locinox.com](http://www.locinox.com)

Locinox P - English